



# 2026 North Star District Scout Skills Show April 18, 2026 – Caribou Recreation Center



## 2026 North Star District Scout Show – will be held on April 18<sup>th</sup> at the Caribou Recreation Center!

Please plan to have your unit join us as we celebrate Scouting in Aroostook County.  
**Our opening will once again feature a Scout opening at 10am. Please bring your Unit flag and American flag**

### **BOOTH DISPLAY:**

- Please make sure your booth is set up prior to 9:00am on Saturday -

Make your booth activities fun and exciting for both the Scouts and the viewing public. Keep everyone active and avoid a static display. We are constantly amazed at the high quality of booths each year. **They are terrific!!**

In each booth, a Pack, and Troop, will develop and stage LIVE demonstrations, supplemented by background and decorations. Display any of the vivid Scouting and Cub Scouting skills. A key point in each booth will be the Scouts in **ACTION** engaged in demonstrating the skills of the display.

- **AT LEAST TWO SCOUTS** must be in the booth always during the show with an adult leader in charge. **Uniforms should be worn** unless the booth subject calls for a costume or other special attire. Wear clean, neat pants. If Scouts are painting or the like, aprons or other protection should be worn. **Remember the emphasis will be on action and appeal to the public.** It is recommended that shifts be arranged so that the Scouts are not in the booths longer than one hour. Dens or Patrols might be assigned a specific shift. Allow your Scouts time to go around and experience what other units are doing.
- ✓ **DEMONSTRATE AS WELL AS EXHIBIT: ACTION IS MOST IMPORTANT!!!**  
Some subjects lend themselves to action better than others. Give things an interesting twist by using quizzes, demonstrations, etc. to provide interaction between Scouts and the public. **INVOLVE THE PUBLIC IN THE ACTION.**
- **WHAT WILL THE UNIT PROVIDE:** After selecting a good subject and having it approved, decide the best way to display it. Make your demonstration interesting to the Scouts working in the booth as well as the public. **YOUR UNIT MUST PROVIDE:** All the necessary equipment for demonstrating the subject.

### **BOOTHS: LOGISTICS**

Tables and Chairs are limited – it would be advised for your unit to bring their own.

**ELECTRIC OUTLETS:** will be provided, when possible, **only if requested prior to the show** in the booth application



# 2026 North Star District Scout Skills Show April 18, 2026



## **SETTING UP YOUR BOOTH DEMONSTRATION:**

Saturday morning set up starts at 8am. Decorations, backgrounds, and all materials and properties in your booth will be your responsibility. The booths must be completed **BEFORE 10:00 am** and completely removed and cleaned up after the show closing and awards at 2:00 P.M. The unit must provide all tools, equipment, and signs. The Recreation Center and KAC **WILL NOT** be responsible for loss, breakage or theft of equipment, clothing or materials of any kind. **BOOTHS ARE NOT TO BE CLOSED BEFORE 2:00 P.M.**

**SIGNS:** All units should display both American and Unit flags.

- ✓ Each unit is encouraged to have a large, attractive sign showing the unit number, community, sponsor, and booth subject. We suggest that signs measure not less than 12''x 24'' and should be placed at eye level on stands.

After – the awards & closing at 2:00 pm you may dismantle your booth. All materials and props must be removed immediately following the show. All props, materials and rubbish should be taken home with you.

**NO SALES FROM UNIT BOOTHS:** You may have FREE GIVEAWAYS. No selling items. Possibility of popcorn show & sale – contact the council office if your unit is interested.

## **HEALTH AND SAFETY**

Health and safety of activities in the booth are of primary importance both to those in the booth and the Council. We reserve the right to deny a booth subject if it could pose a threat of injury or safety to anyone.

The Show Committee reserves the right to regulate the use of audio-visual equipment, including the volume and frequency, if such interferes with your neighbors.

## **NO OPEN OR CLOSED FLAMES MAY BE USED**

**NO SMOKING:** Smoking is strictly prohibited in the Recreation Center.

**ADULT LEADERSHIP** must attend all times and be at least 21 years of age. Units must follow Safeguarding Youth policy at all time.



# 2026 North Star District Scout Skills Show

## April 18, 2026



### **2026 Cub Scout Pinewood Derby:**

Each pack is eligible to send all of their Lions, Tigers, Wolves, Bears, Webelos, and AOLs with cars to race in the district derby. Registration will begin following the opening ceremony. Lions will race at 11:00am and Cubs will race at 12:00pm.

A small \$5 fee per racer will be assessed to help cover the cost of awards.

Cars must meet the required specifications –

- must use official Scouting America wheels and axles with no modification to the wheel base.
- Weight must be no more than 5 oz and each car will be weighed in at check – adjustments to the car weight will be allowed at weight in
- Powdered graphite or liquid graphite that dries to a powder is allowed for lubricant
- Cars that need to make adjustment will be given time to do so prior to the race. Any car that is judged to have made unofficial modifications will be allowed to race but not have a place in the winner's circle

Decisions of the race committee will be final.

Remember: this race is for the Cub Scouts to have fun – let's keep it simple and make it fun for them.



# 2026 North Star District Scout Skills Show April 18, 2026



**North Star District Scout Show Registration Form**  
Register Online @ [www.katahdinareabsa.org](http://www.katahdinareabsa.org) Or email information  
to: [stephen.hughes@scouting.org](mailto:stephen.hughes@scouting.org)  
Cell phone: 207-231-4675

Your - Unit Number: \_\_\_\_\_ Pack / Troop  
Unit Contact Person:  
Name: \_\_\_\_\_  
Address: \_\_\_\_\_  
Phone number: \_\_\_\_\_  
Email: \_\_\_\_\_

Our 1<sup>st</sup> choice for booth theme: \_\_\_\_\_  
Brief description: \_\_\_\_\_  
\_\_\_\_\_

Our 2<sup>nd</sup> choice for booth theme: \_\_\_\_\_  
Brief description \_\_\_\_\_  
\_\_\_\_\_

- Yes, we would need access to electricity.
- WE need tables – please indicate how many \_\_\_\_\_  
(Please bring a couple of your own chairs)
- We will arrive early Saturday morning – by 8am
- We have several adults available to help clean up on Saturday after 2pm – thank you!

**Derby racers:**  
Names of Cub Scouts racing (Please use additional sheet if necessary.)

Cub Scout: \_\_\_\_\_ Cub Scout: \_\_\_\_\_  
Cub Scout: \_\_\_\_\_ Cub Scout: \_\_\_\_\_  
Cub Scout: \_\_\_\_\_ Cub Scout: \_\_\_\_\_



# Katahdin Area Council • Scouting America

## 2026 Pinewood Derby Rules

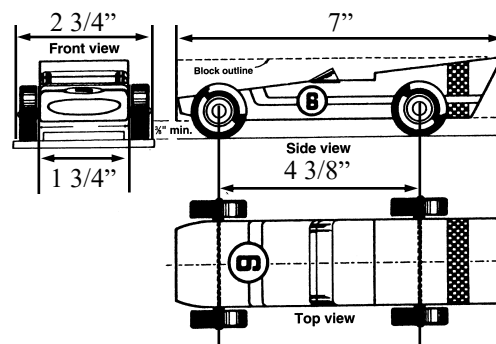
### for all Council and District Races



The following Council Pinewood Derby Rules are intended to promote uniformity, fairness, good sportsmanship and fun which meets the aims and proposes of the Cub Scout Program. Race Cars should be designed and built by the Cub Scout with guidance provided by the adult. Please review these rules before beginning building your Pinewood Derby Racer.

## Section I. Car Specifications

- A. Width: Shall not exceed 2 3/4 inches / 69.85 mm
- B. Length: Shall not exceed 7 inches / 177.80 mm
- C. Height: Shall not exceed 3 inches / 76.20 mm
- D. Weight: Shall not exceed 5 ounces / 141.75 gm
- E. Wheelbase: Shall not exceed 4 3/8 inches / 112.71 mm
- F. Bottom Clearance: 3/8 inches between track and car
- G. Wheel Clearance: 1 3/4 inches between wheels



## Section II. Design and Construction

### A. General Design

**Only the Official Pinewood Derby Kit supplied by Scouting America can be used.** Kits can be purchased from the Council Service Center or a SA authorized distributor. Pine Car and other non-SA kits are not acceptable. Check the kit for compliance of these rules before beginning construction. Accessories can be used as long as the car meets all specifications (see Section I). Cars must be free wheeling with no starting devices. **The front of the car must be constructed so that it does not overhang the starting gate system** (see Figure 3). Each car must pass an inspection for compliance prior to the race and may be disqualified for awards any time during the race.

### B. Car Body

The body may be hollowed out and the use of wood or metal may be used to build the car up to the maximum allowed dimensions and weight (see Section I). Details (i.e.: steering wheel, driver, etc.) will be permissible as long as they do not exceed car specifications and are firmly in place. No loose materials will be allowed on the car. **There must be a minimum 3/8 inch clearance between the bottom of the car and the track surface.**

### C. Wheels and Axles

**Only the wheels and axle nails provided in the kit are to be used.** Modifications to the wheels are not permitted (i.e. ground to a fine line, rounded, tapered, grooved or any other kind of modification, see Figure 2). Wheels may be lightly sanded to remove the burrs and mold marks (see Figure 1). Wheels must display the words SA-Pinewood Derby on the side walls. **Only the grooves provided in the block are to be used to place the axle nails. The space between the grooves must not exceed 4 3/8 inches.** If the grooves are not square, damaged or are greater than the maximum allowed space return the kit to the Council Service Center for a replacement kit. The use of washers, bearings, bushings, spacers as well as the use of solid axles, any type of springs or suspension are not allowed to be used on the car. **All four wheels must touch the track surface. Powdered Graphite or SA Axle Lube are the only type of lubricants allowed.** The use of oil, grease, silicone or liquid graphite are not be permitted.

