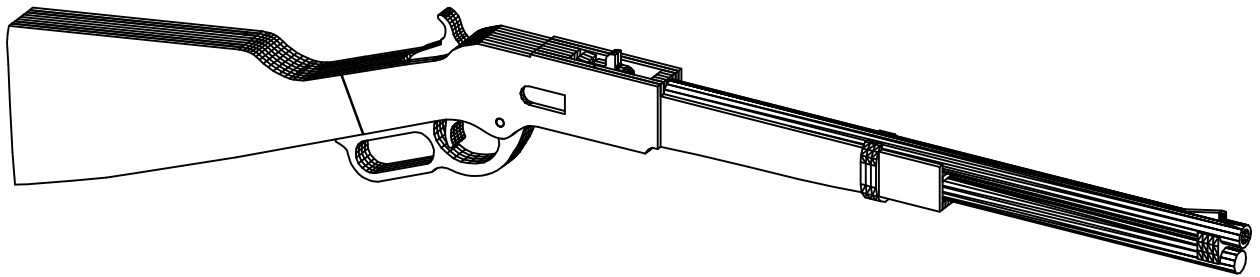


# Lever-action rifle Model 1873 rubber band gun



## IMPORTANT!

This is a construction manual for making an harmless rubber band gun. You will make and use it on your own risk. If you don't agree, don't make this rubber band gun.

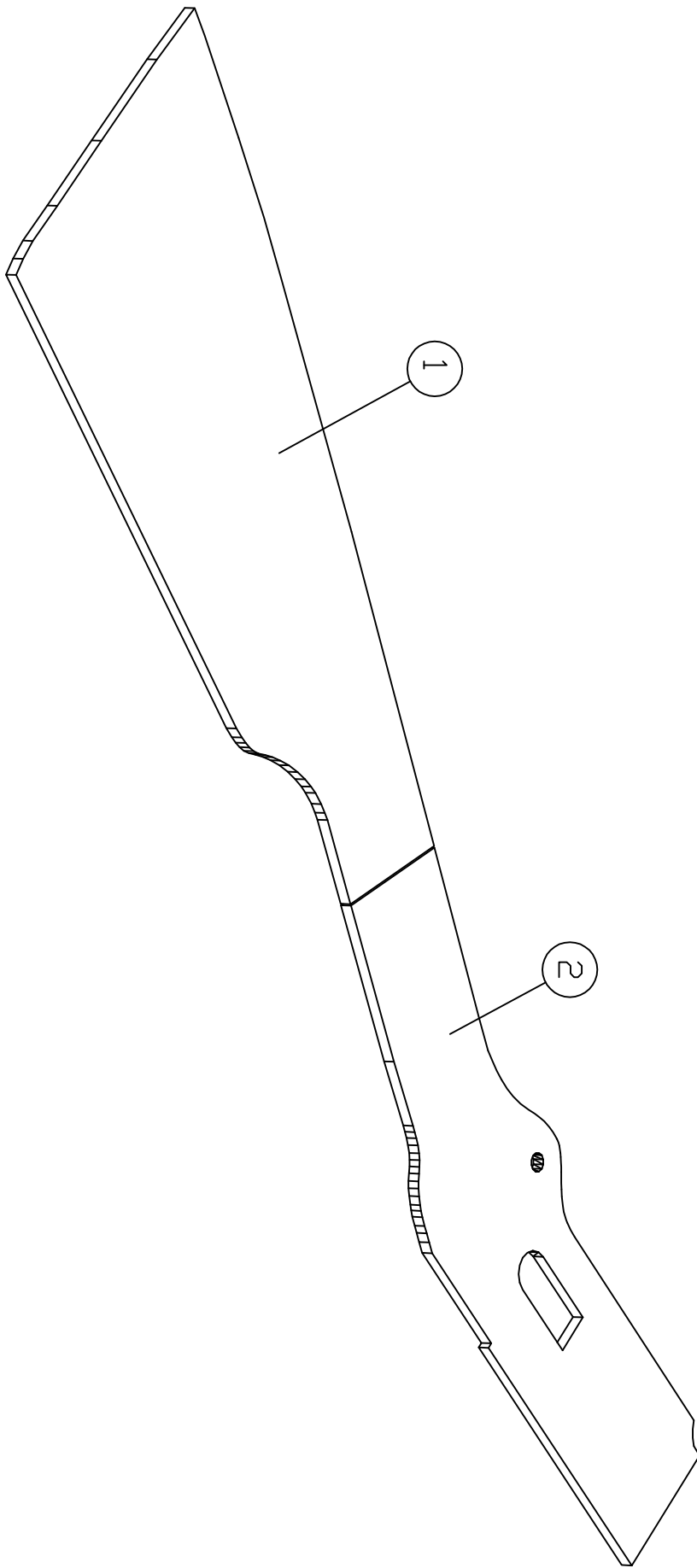
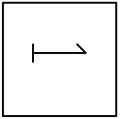
Please pay attention to laws concerning realistic imitation firearms in your country.

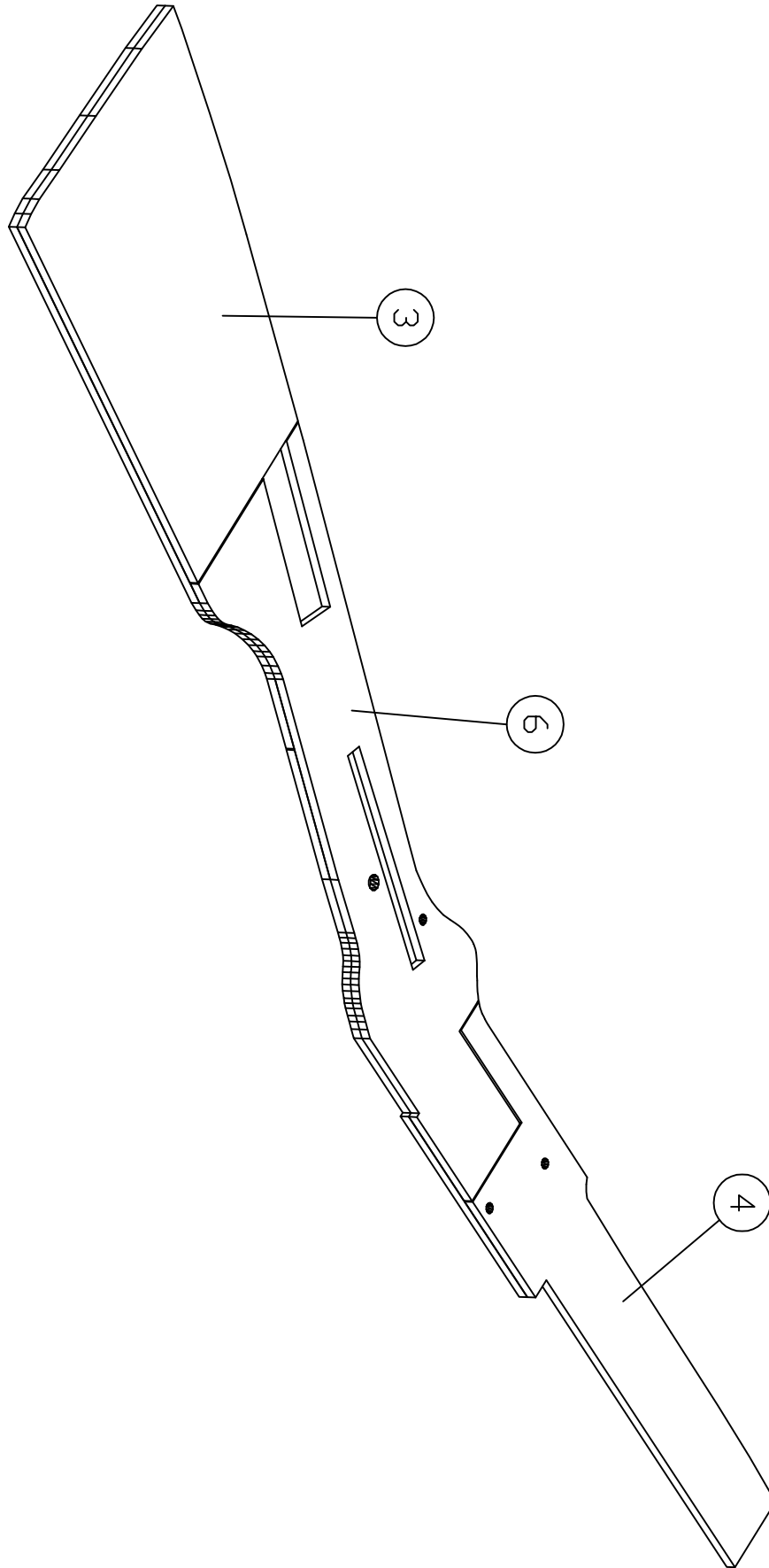
# Materials:

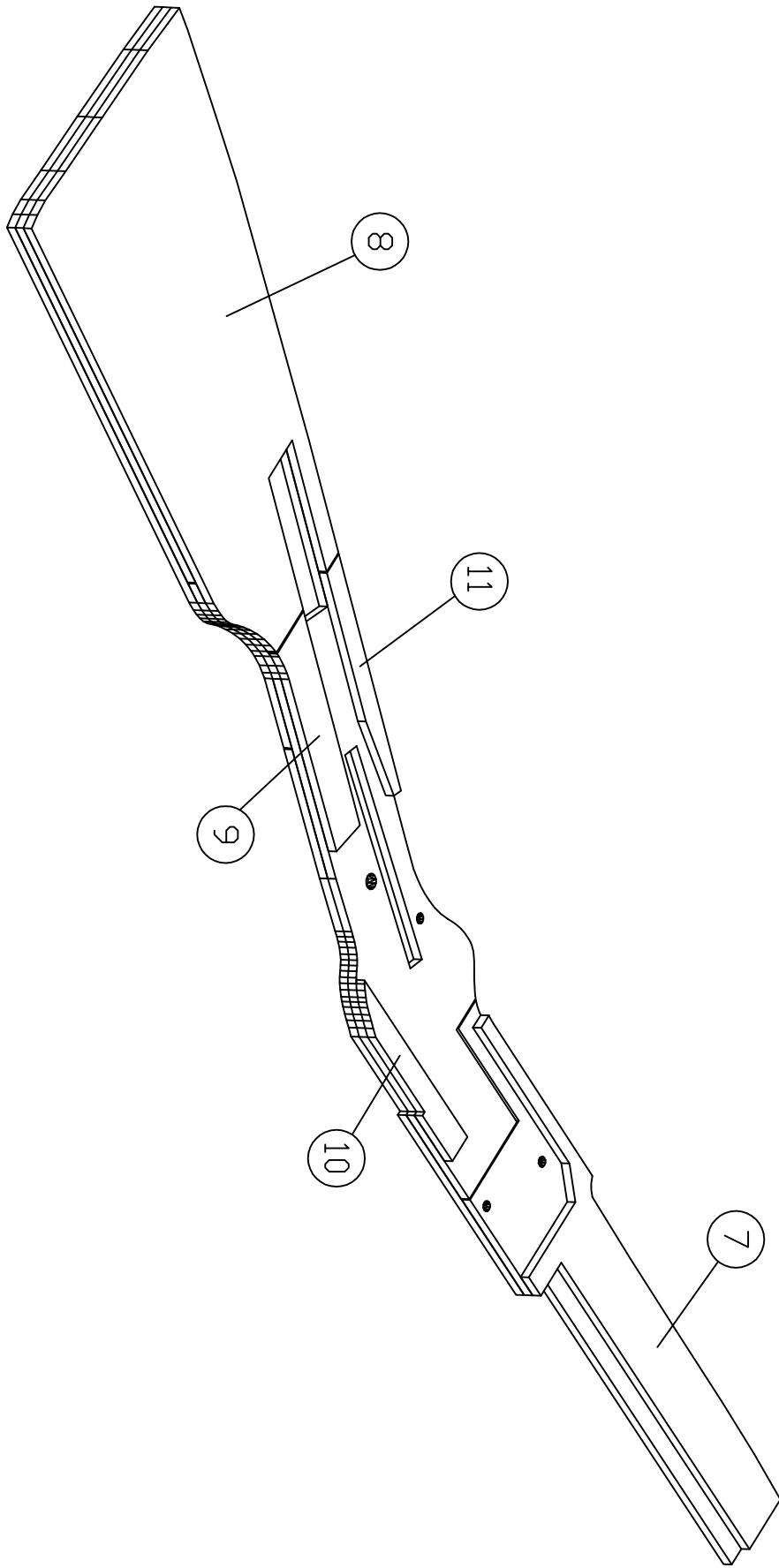
- 4mm bright plywood ca. 1400x600mm
- ø16mm hardwood dowel 1x446mm 1x285mm
- ø6mm hardwood dowel ca. 60mm
- ø4mm hardwood dowel ca. 150mm
- 9x screw 3x20mm
- rubber bands ø40mm, ø100mm

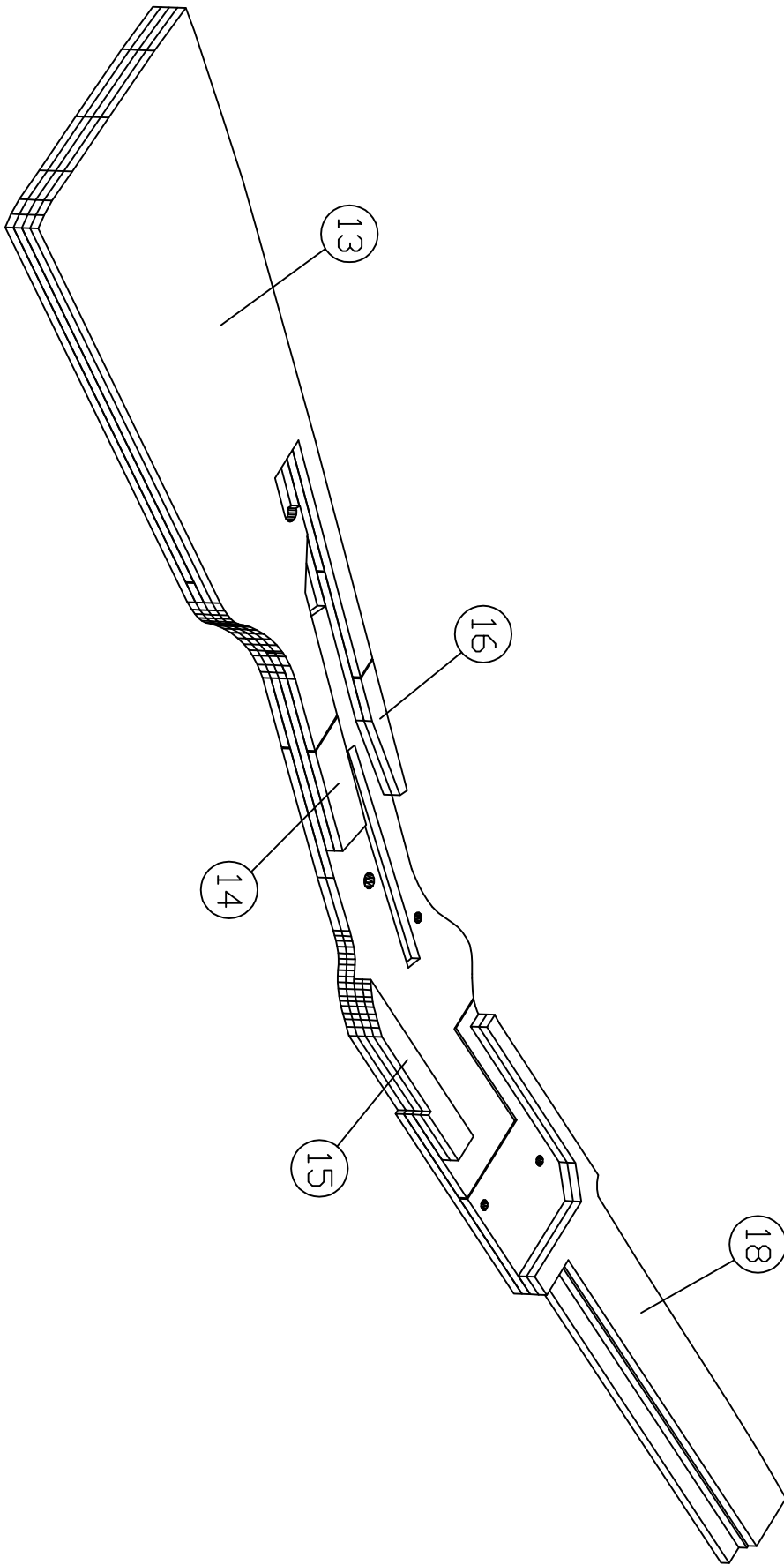
# Tools:

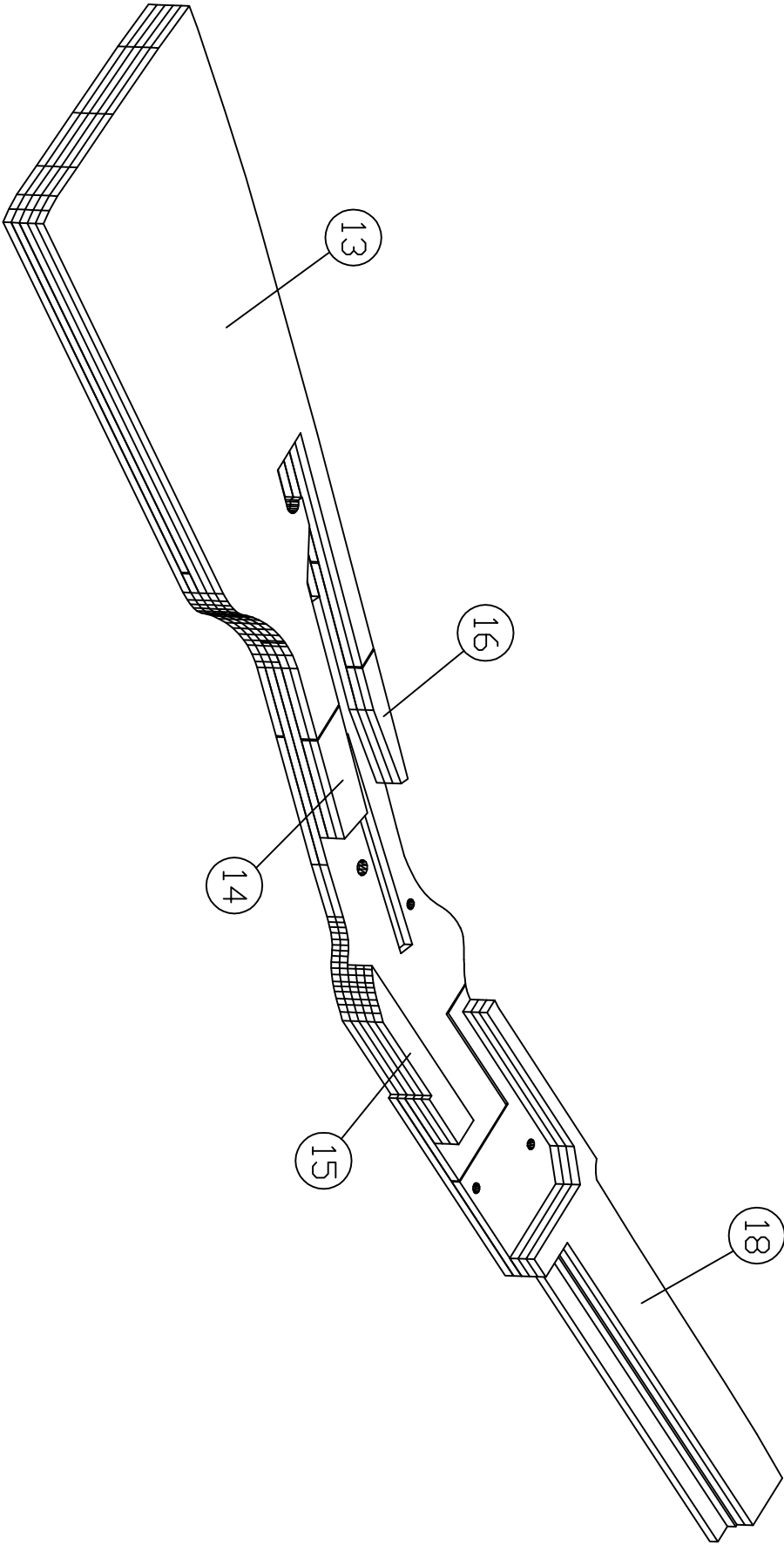
- scroll saw (fret saw)
- drill press (cordless drill)
- sandpaper
- wood glue
- screwdriver
- ø3, ø4, ø6, ø10 brad point drill

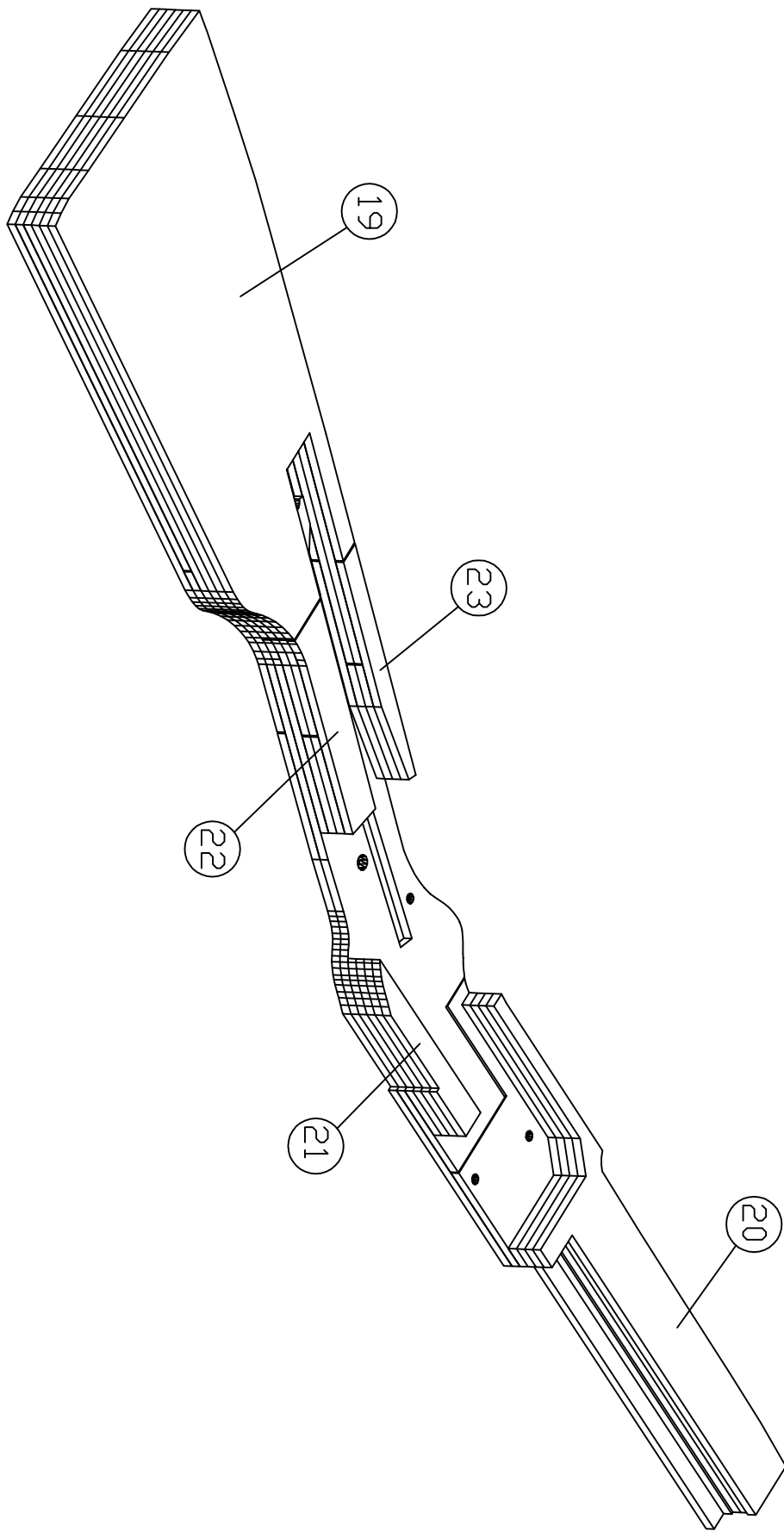




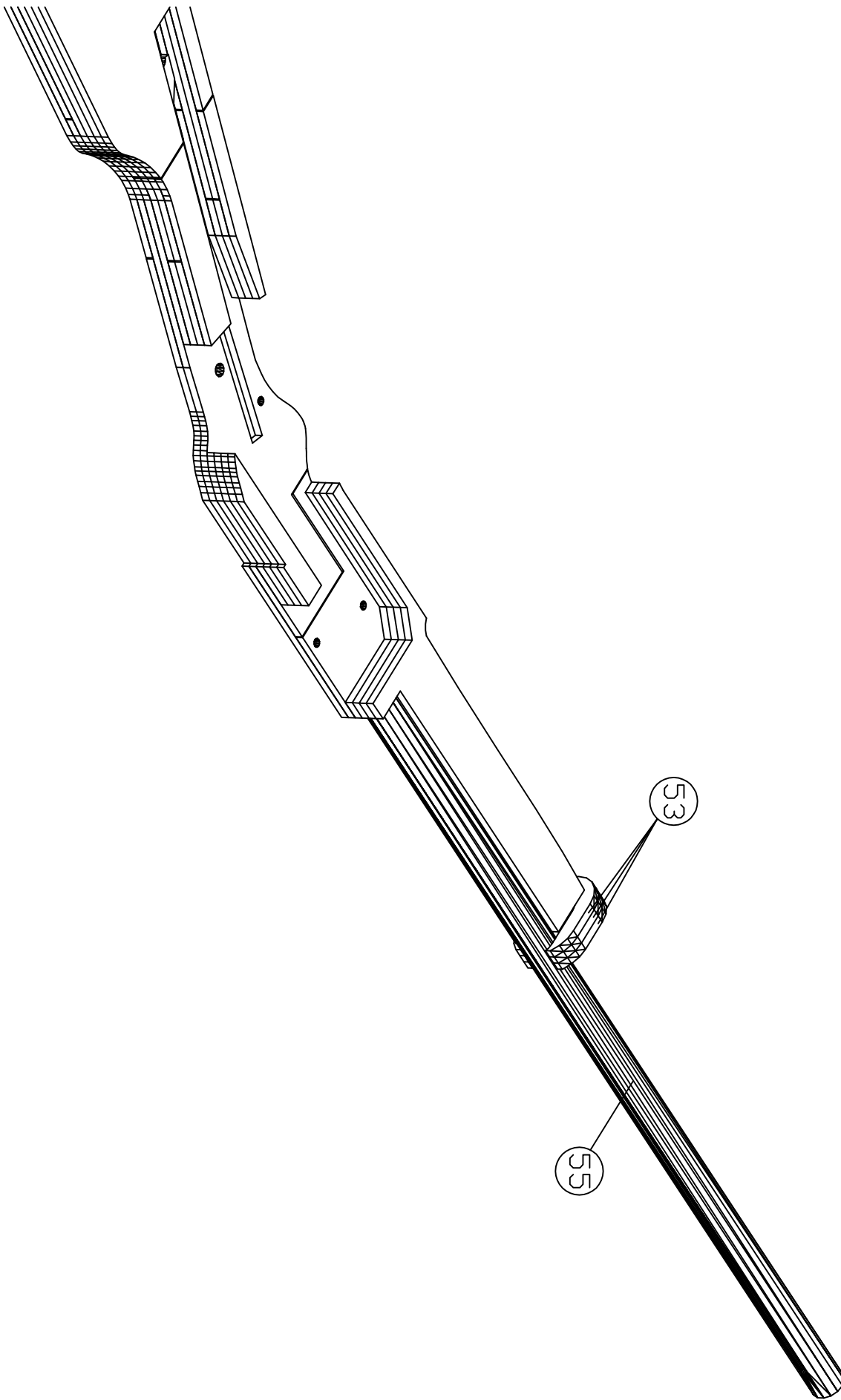


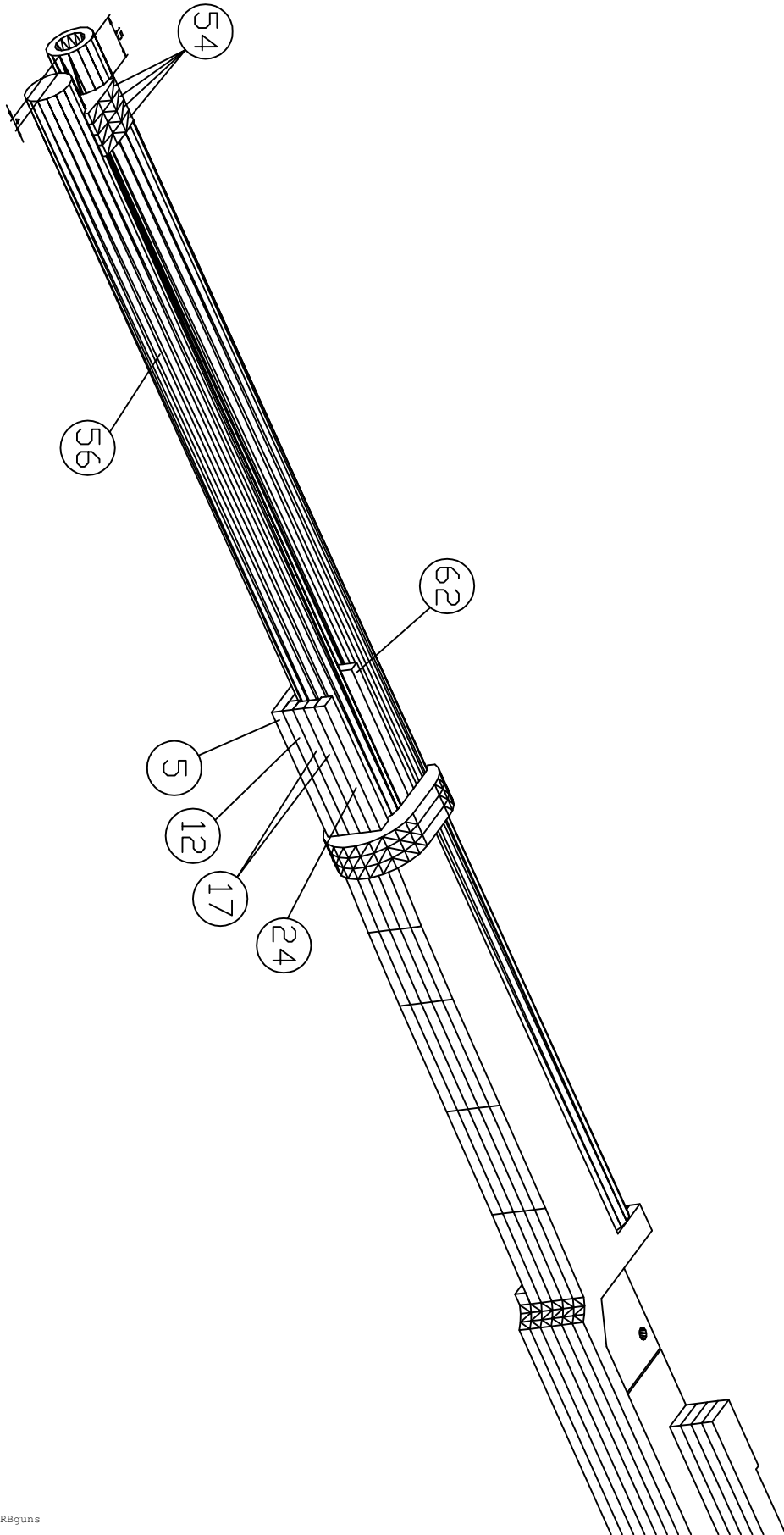


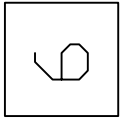
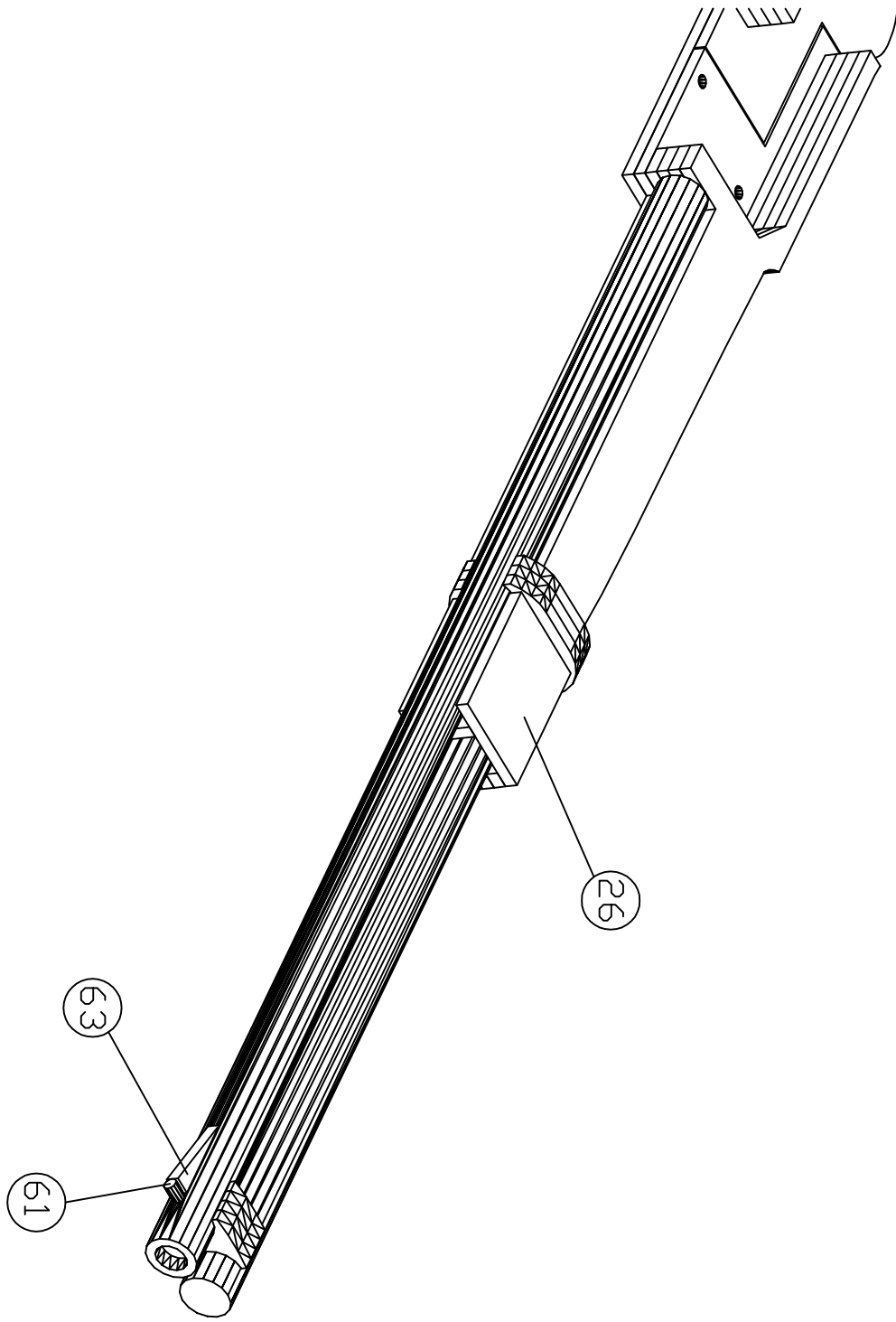


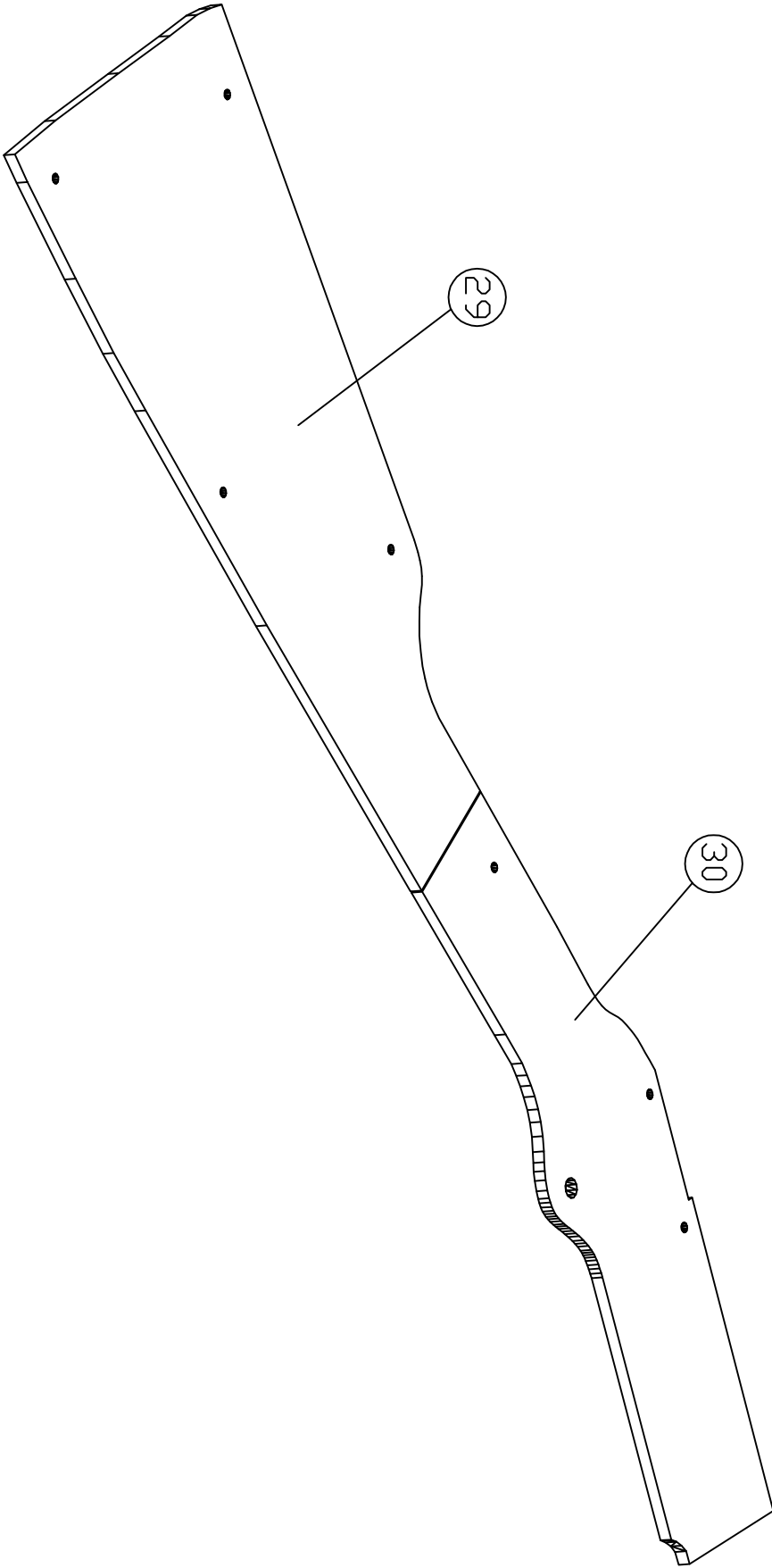


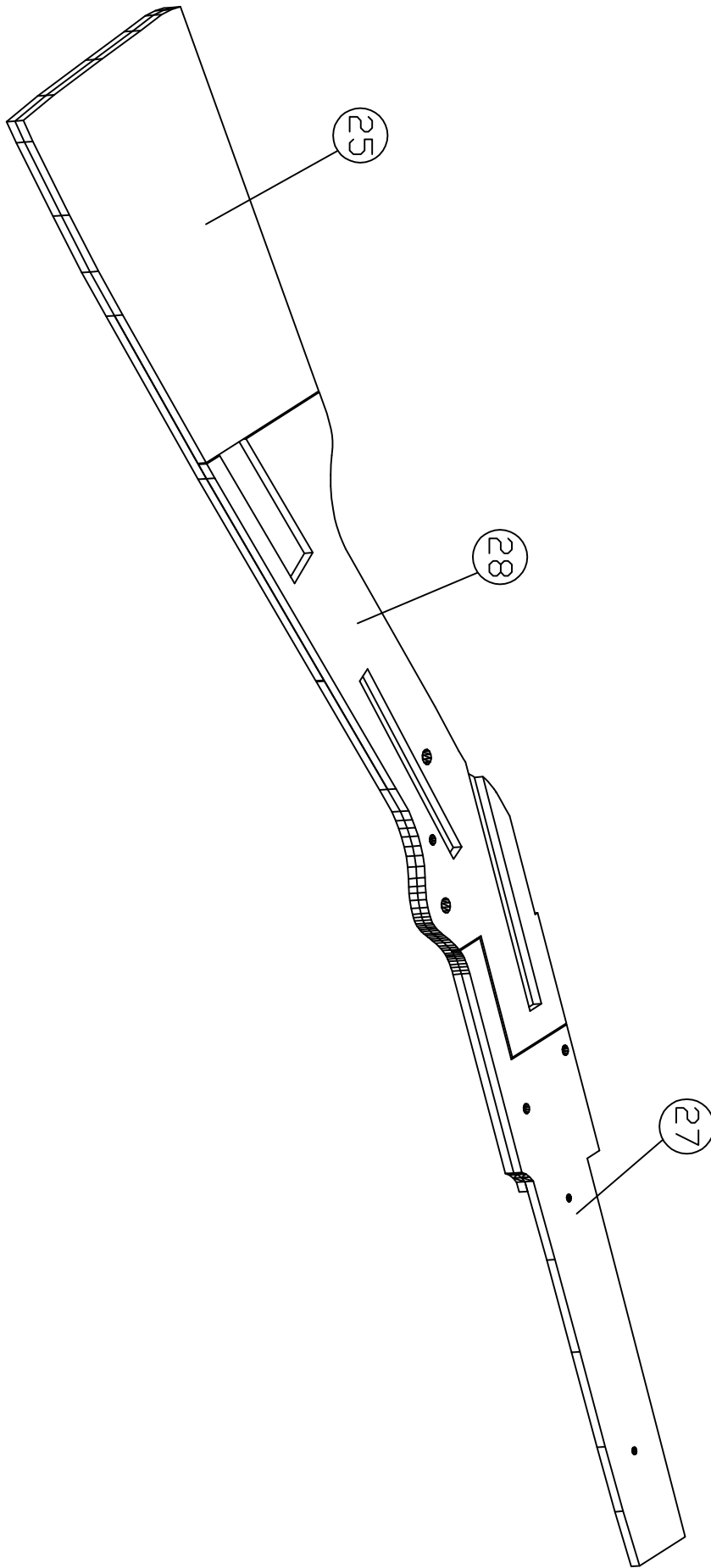




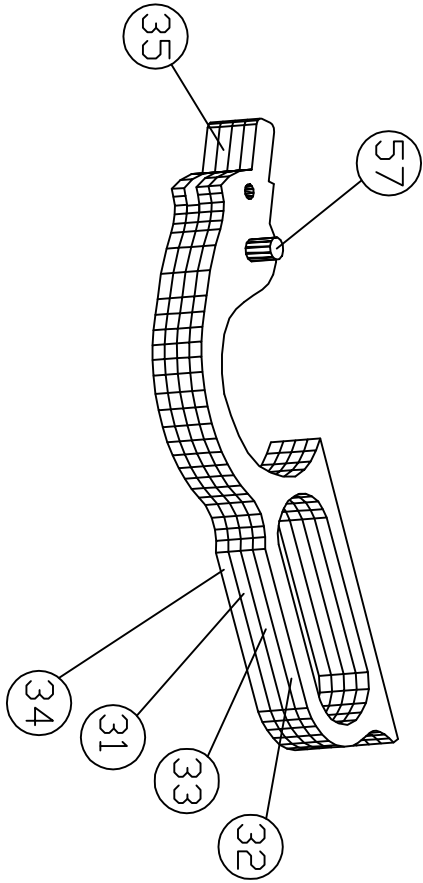




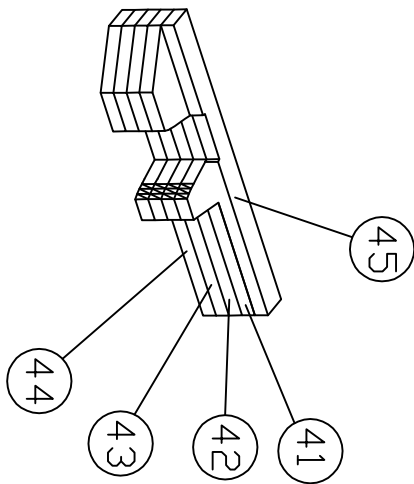




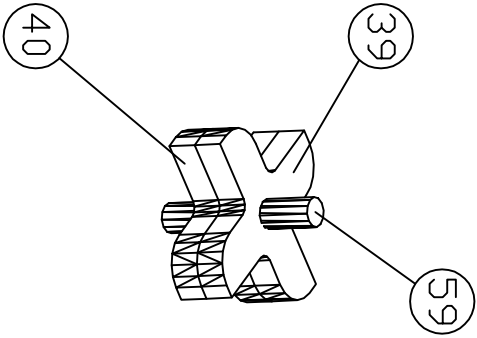
12



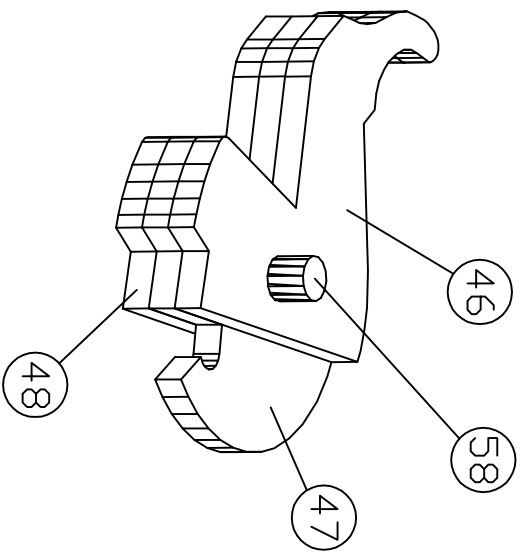
13



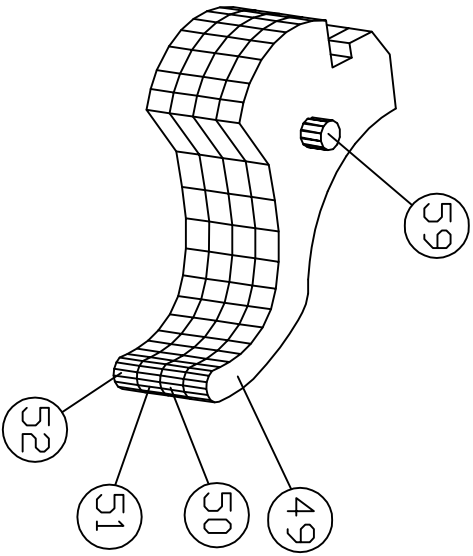
14



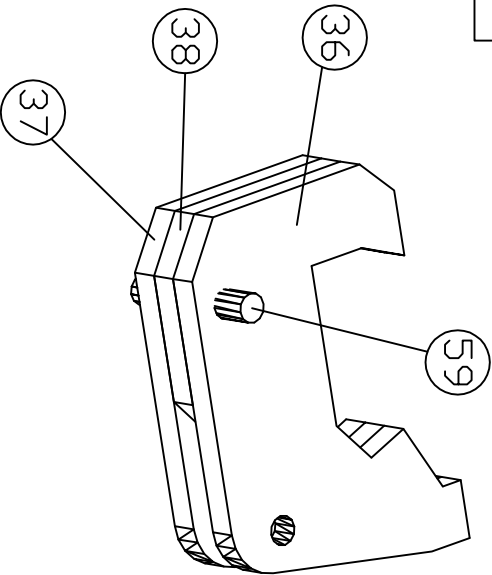
16

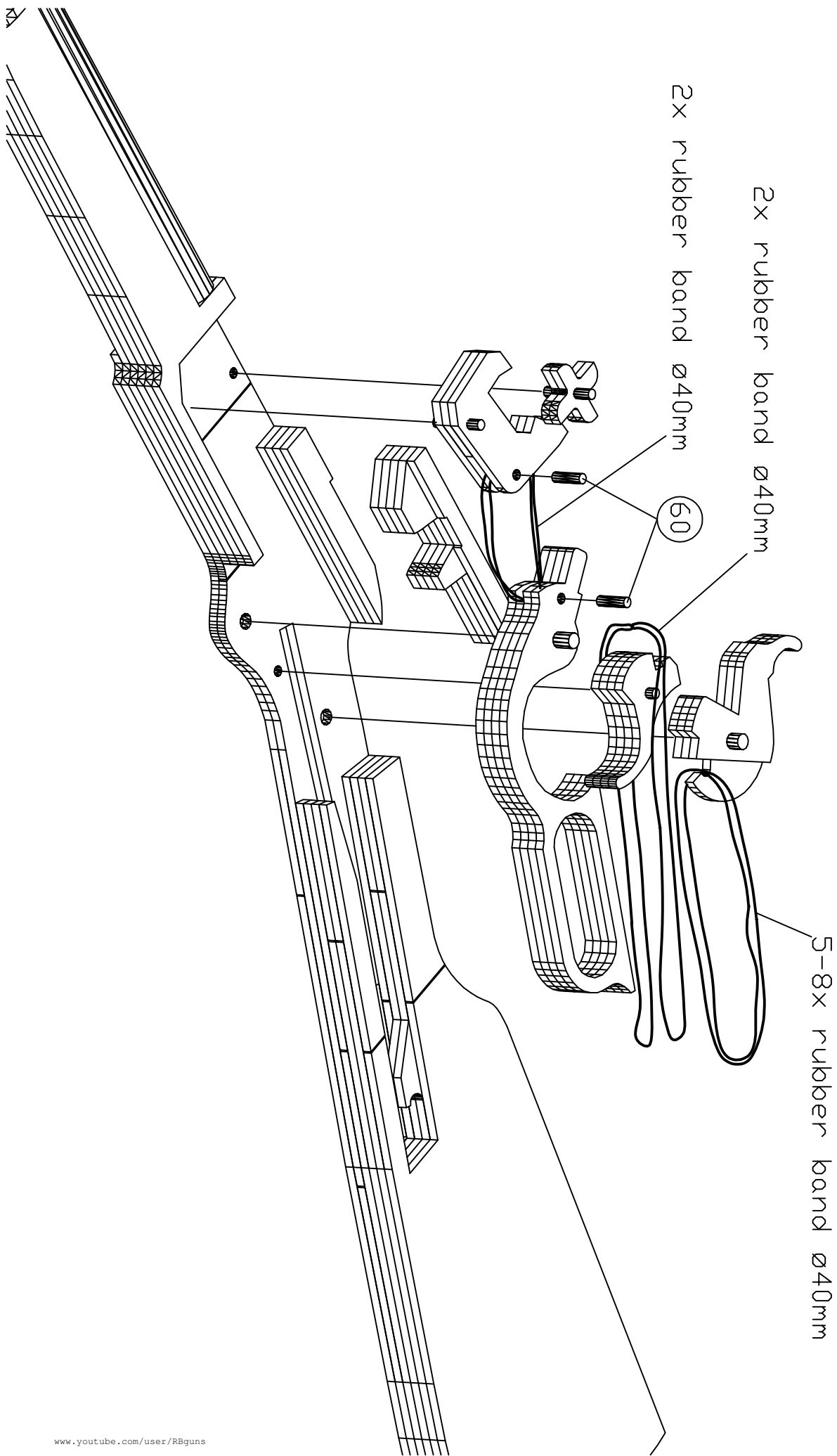


15

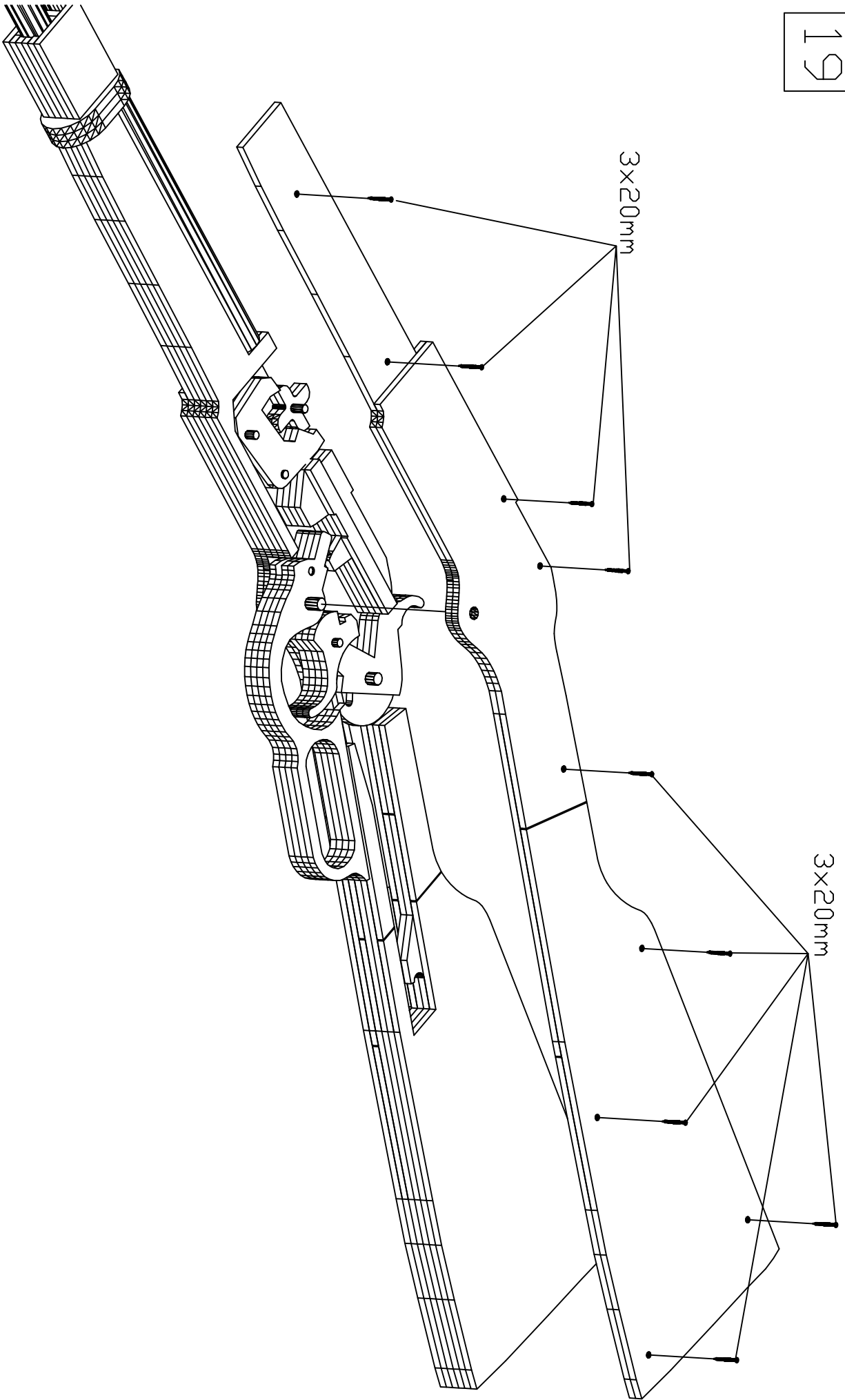


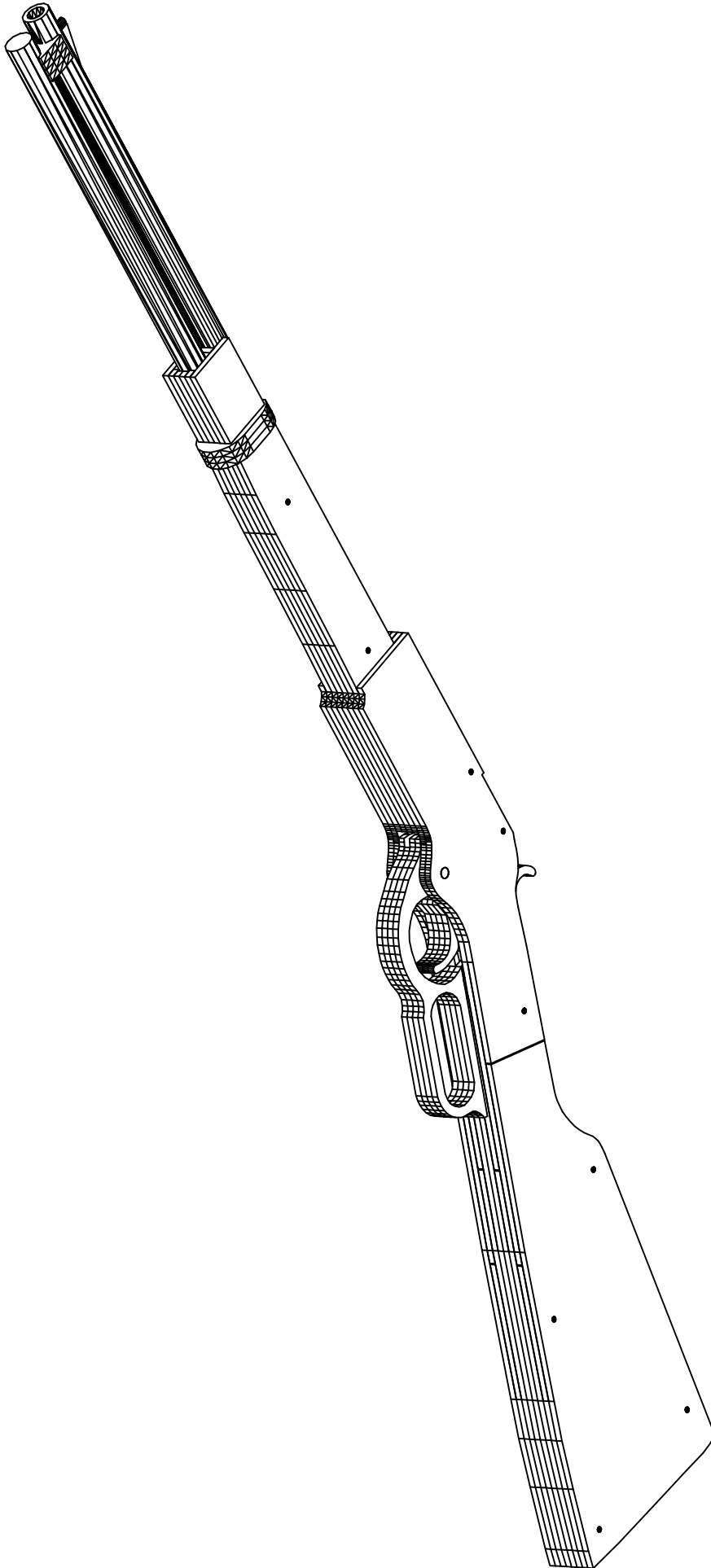
17

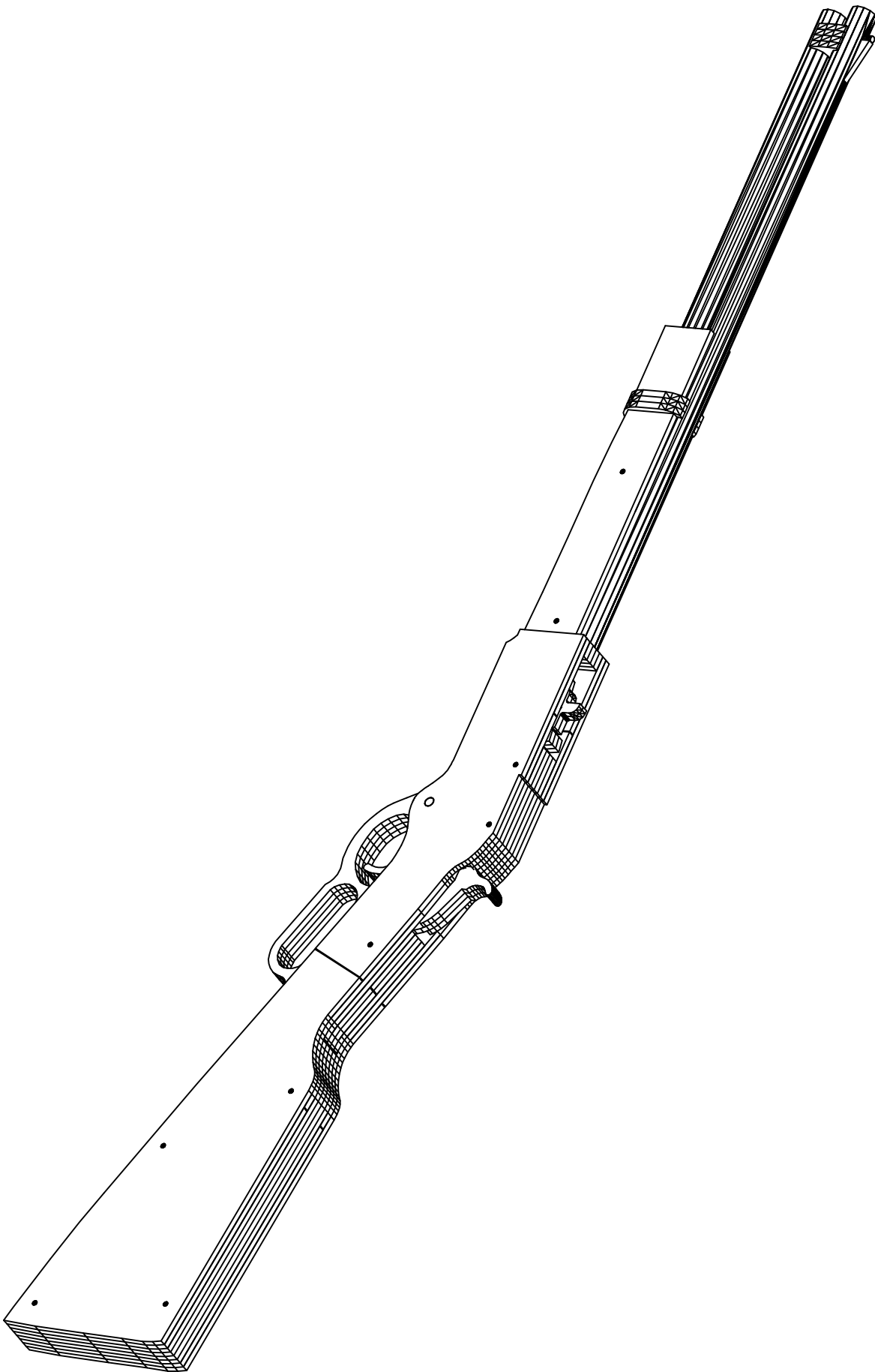


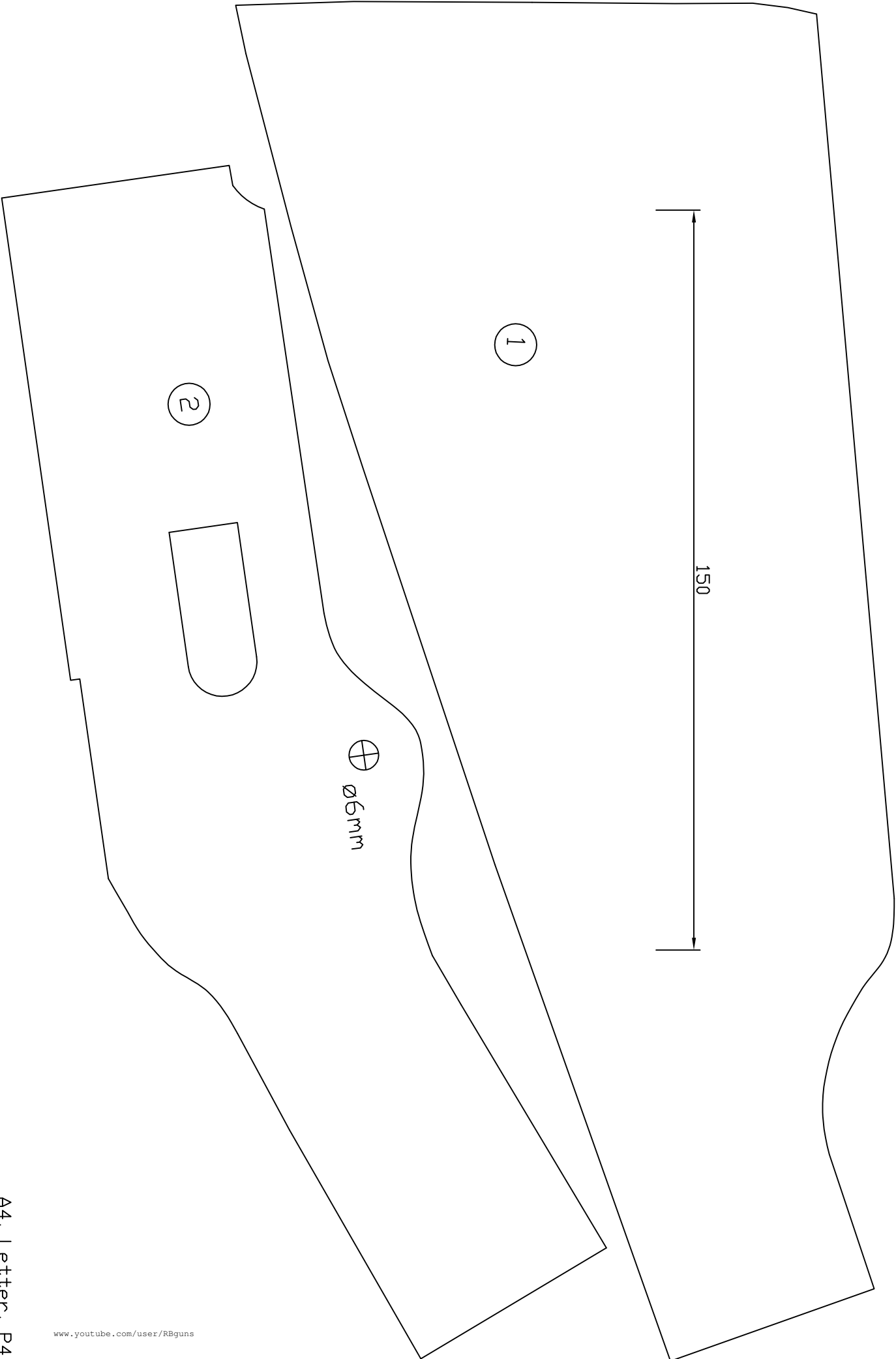


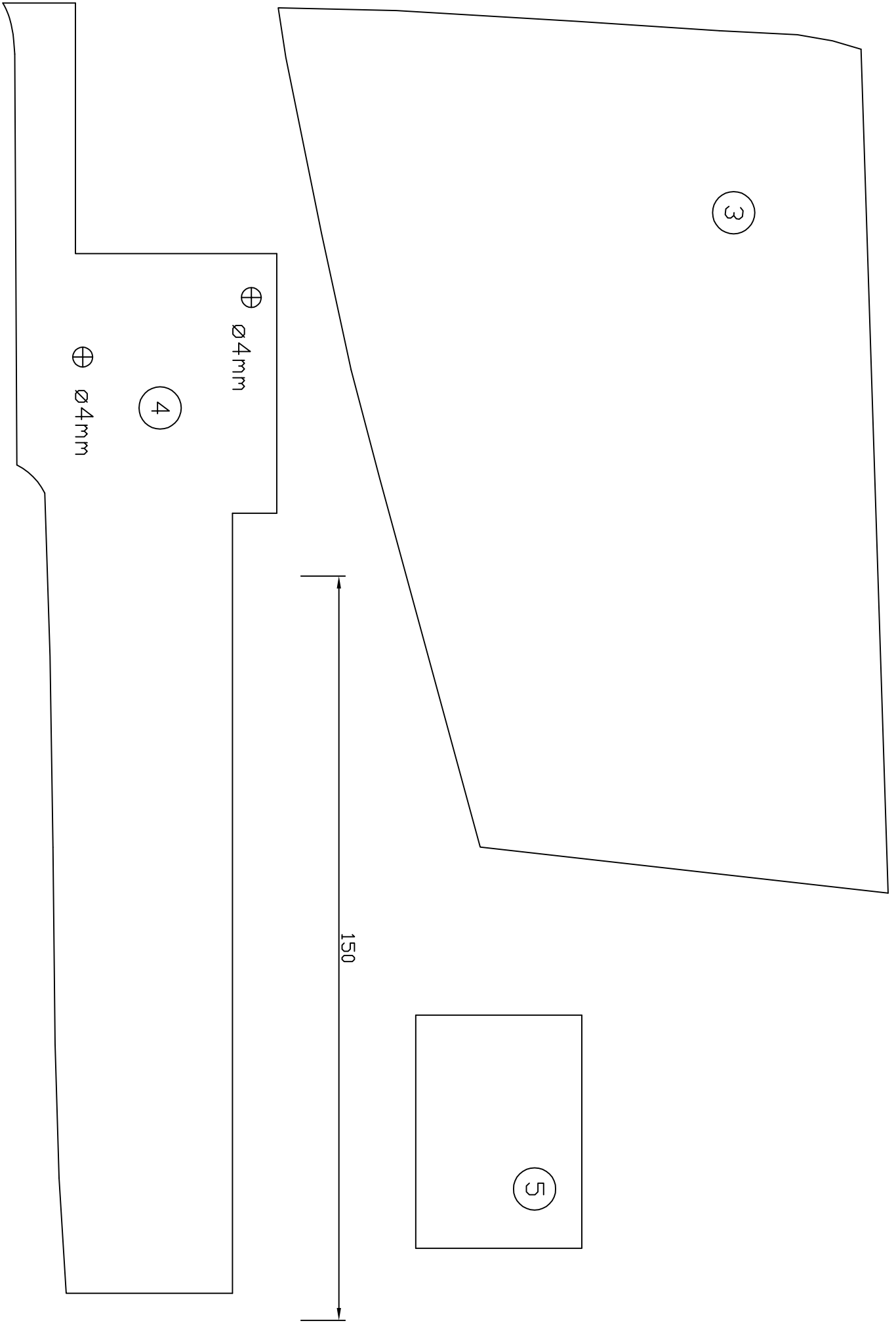


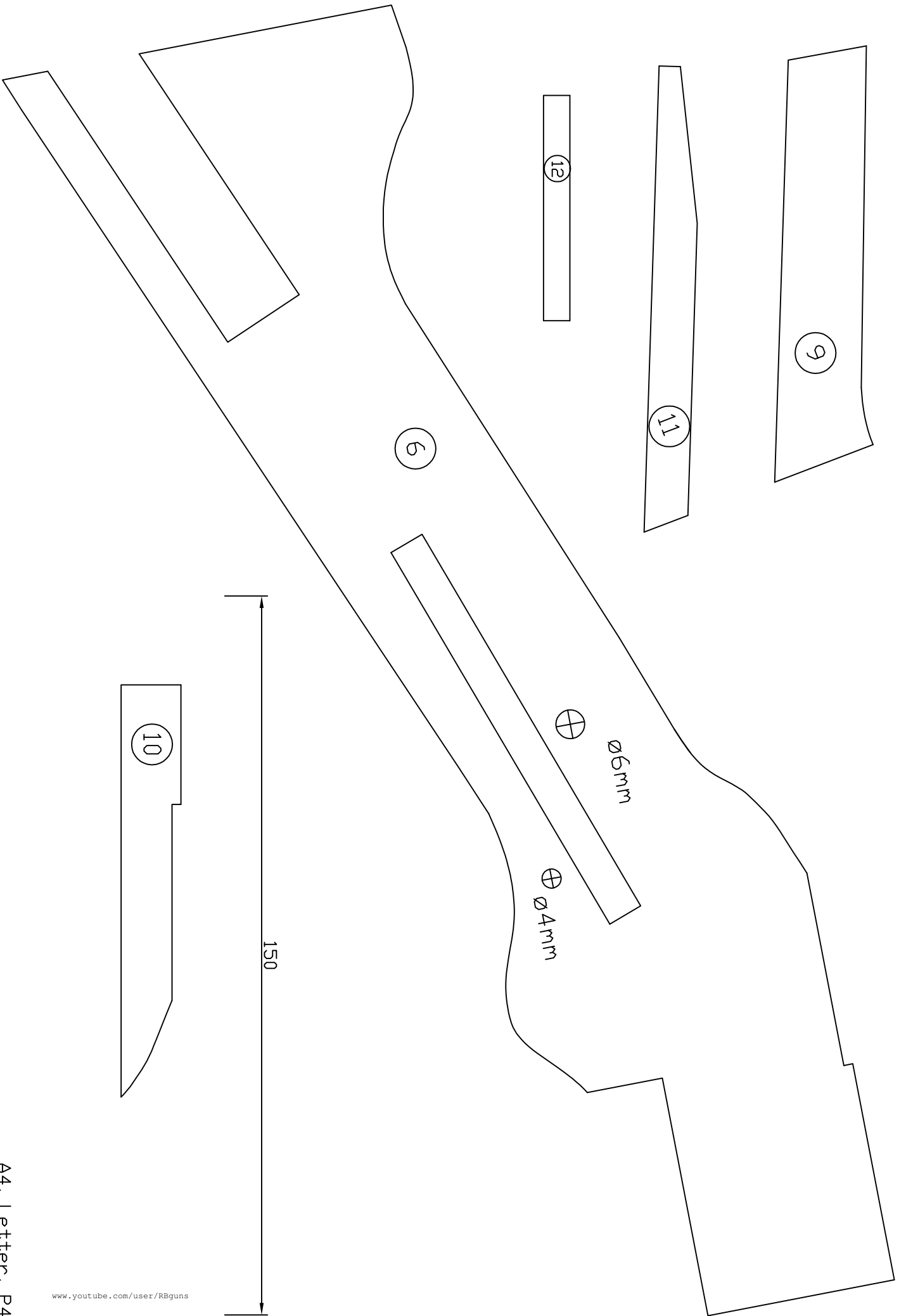


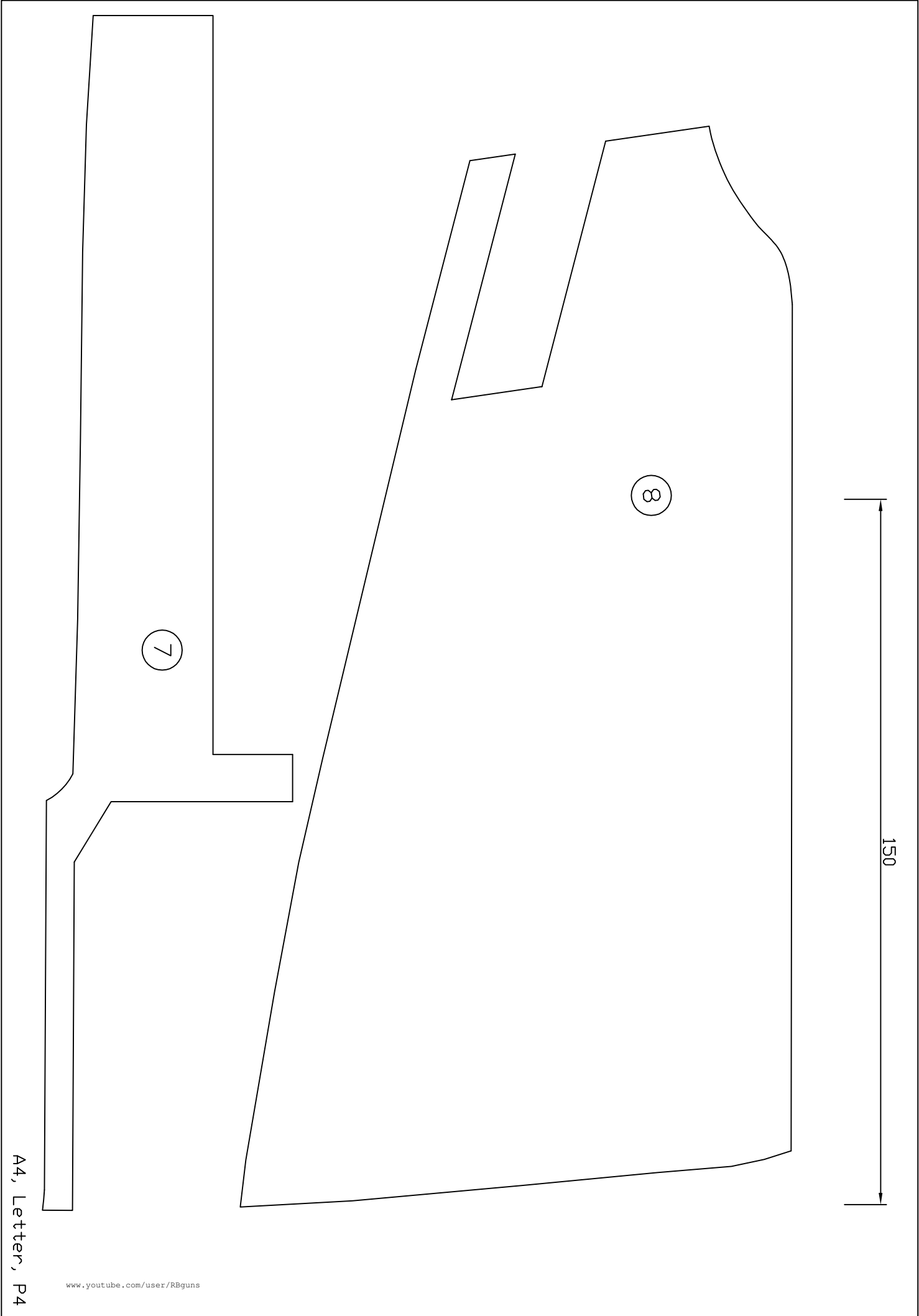








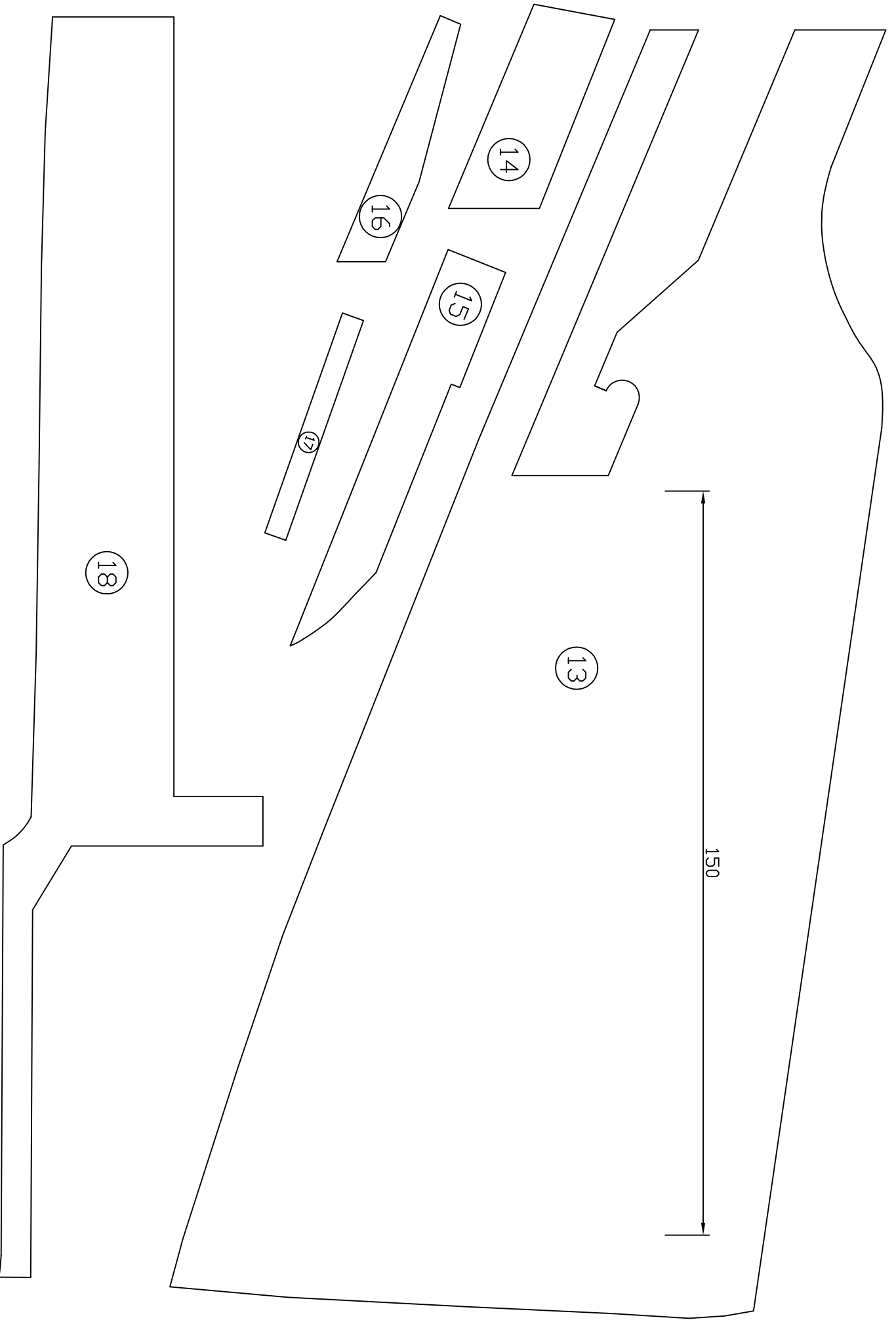




7

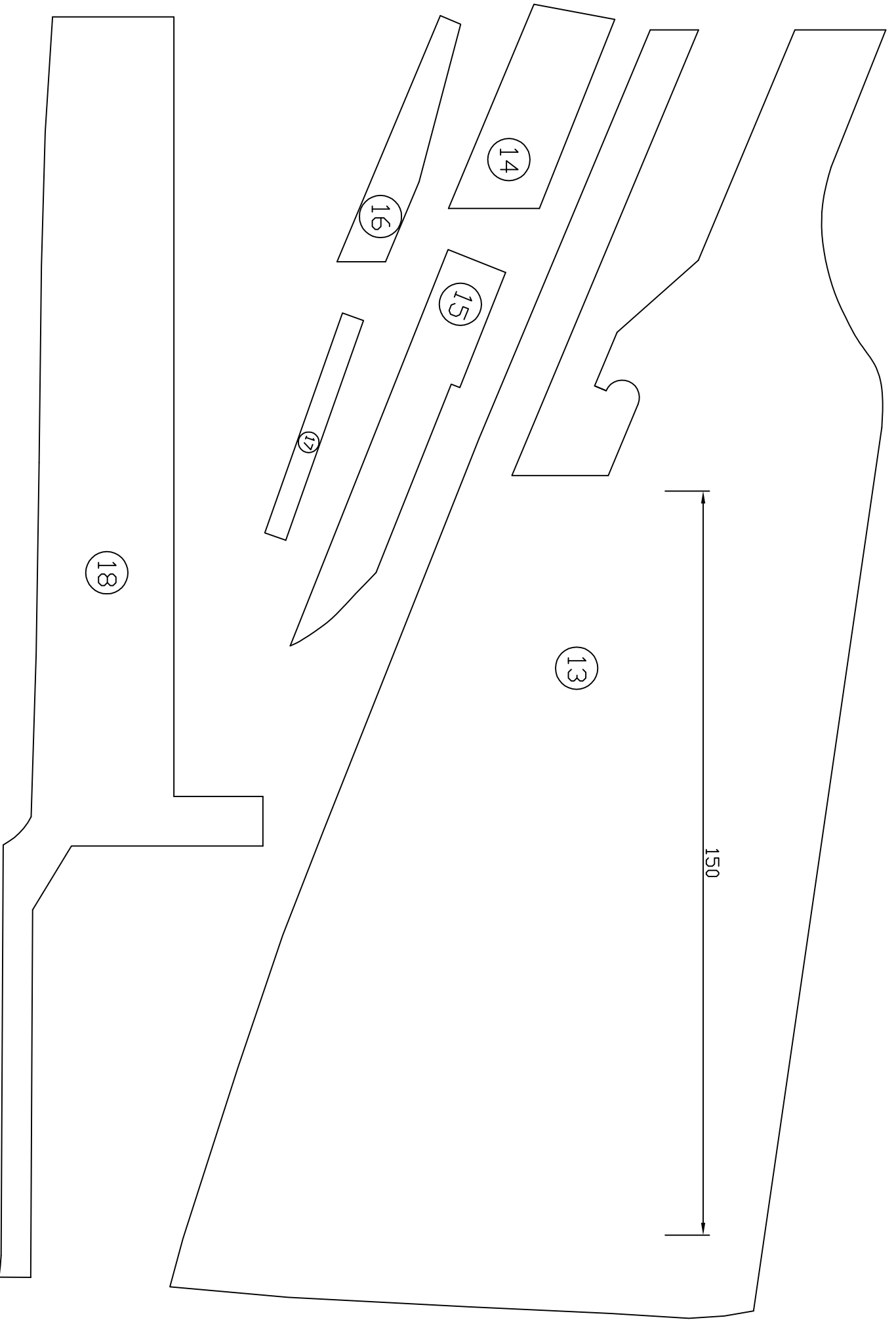
8

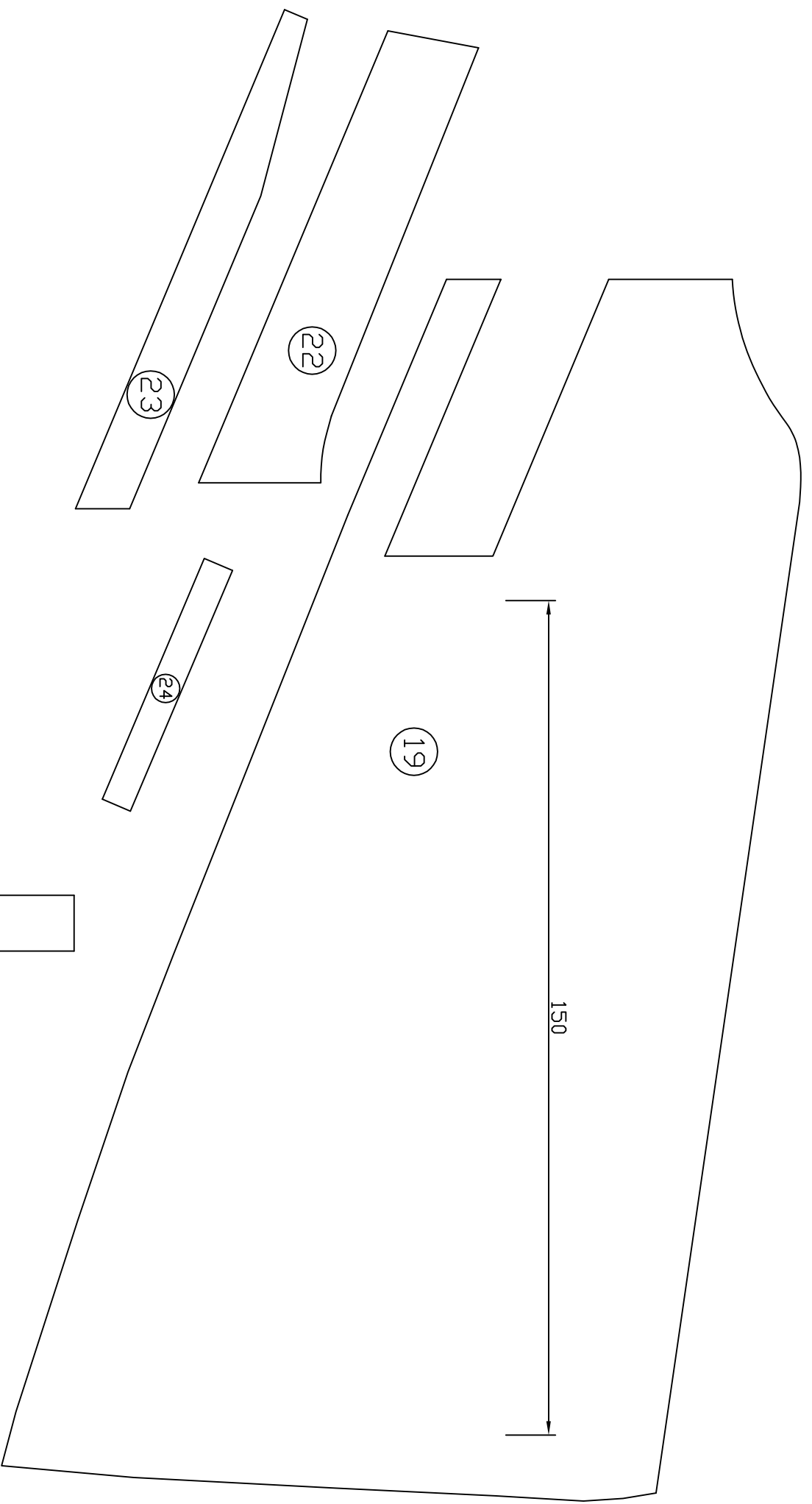
150



150







19

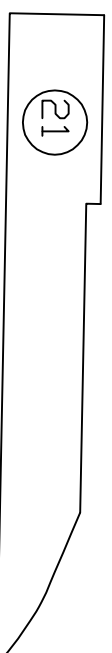
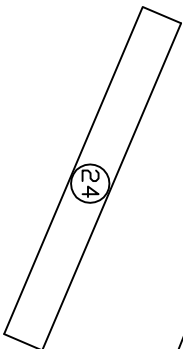
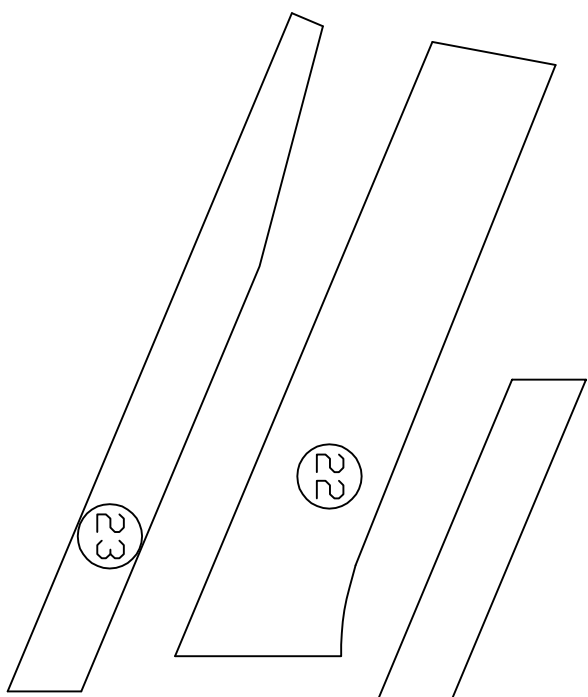
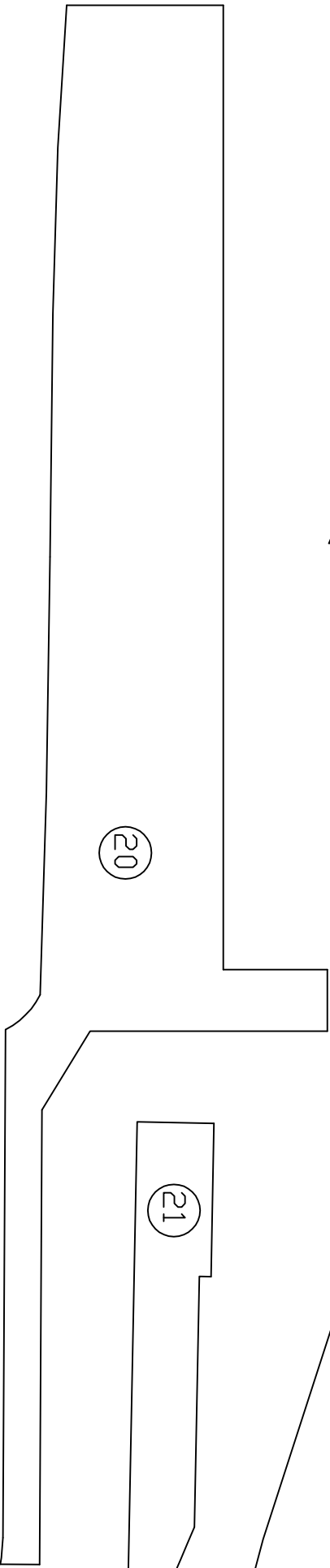
22

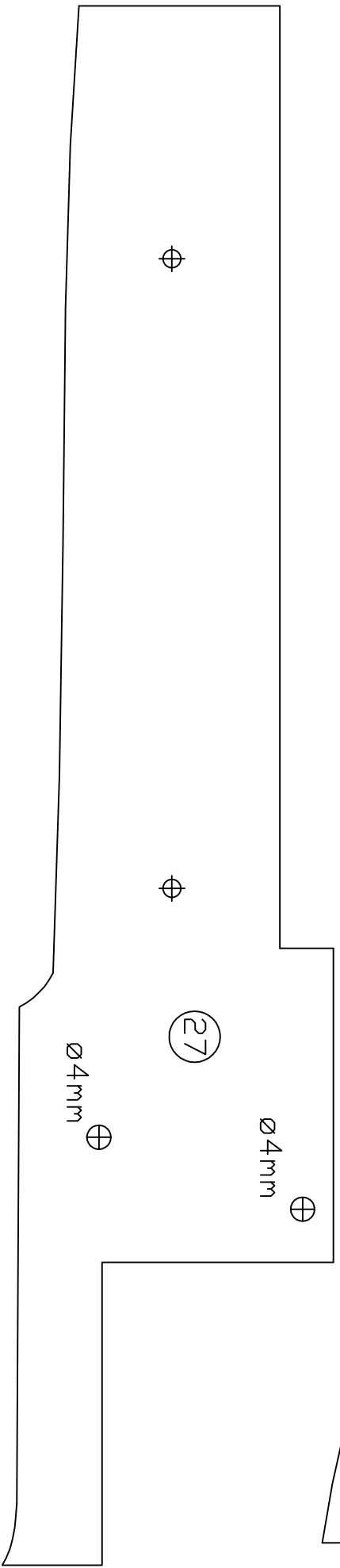
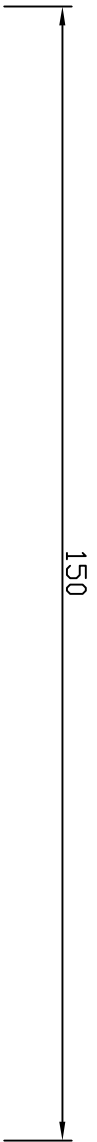
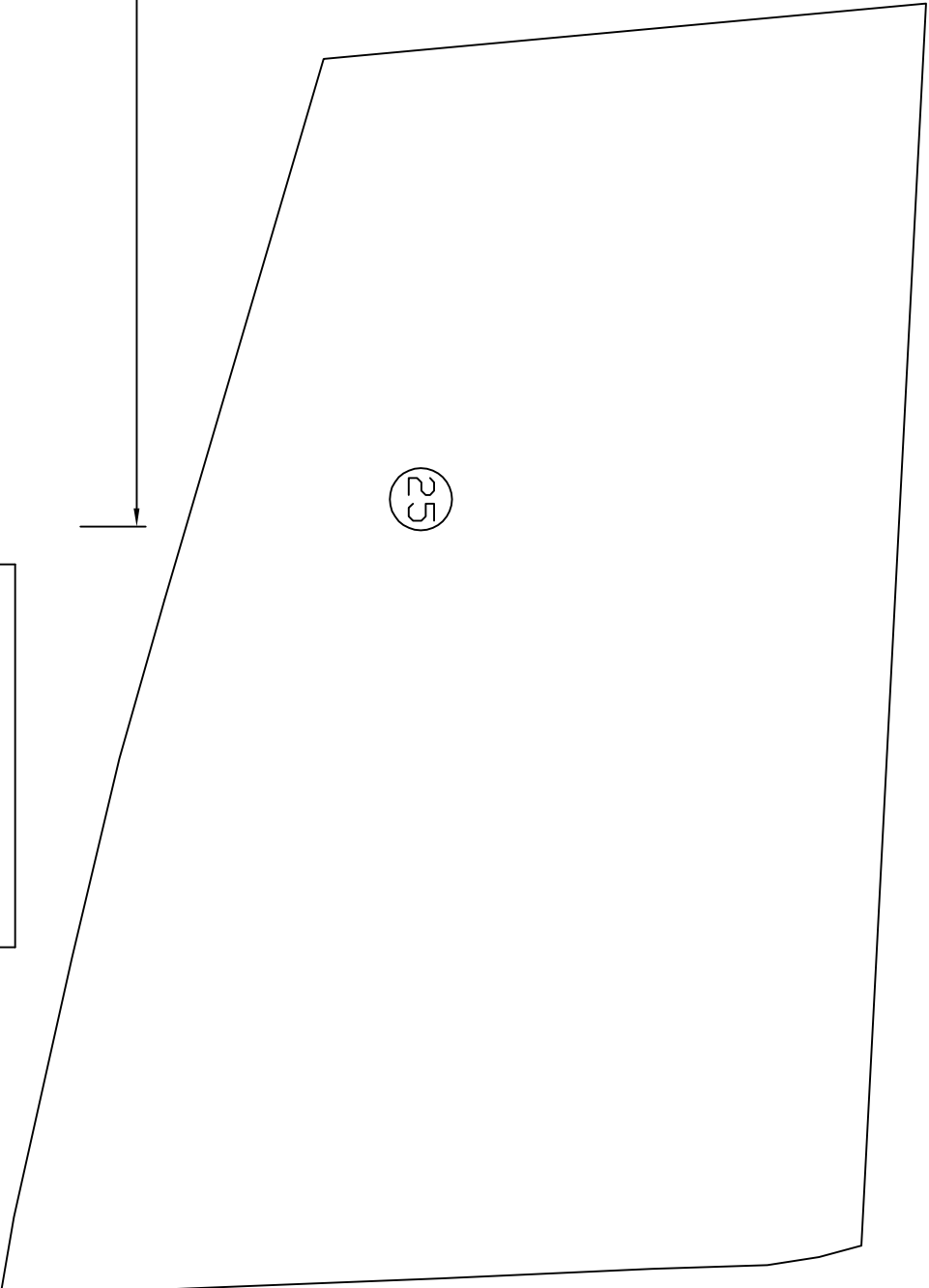
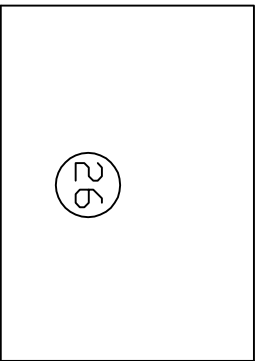
23

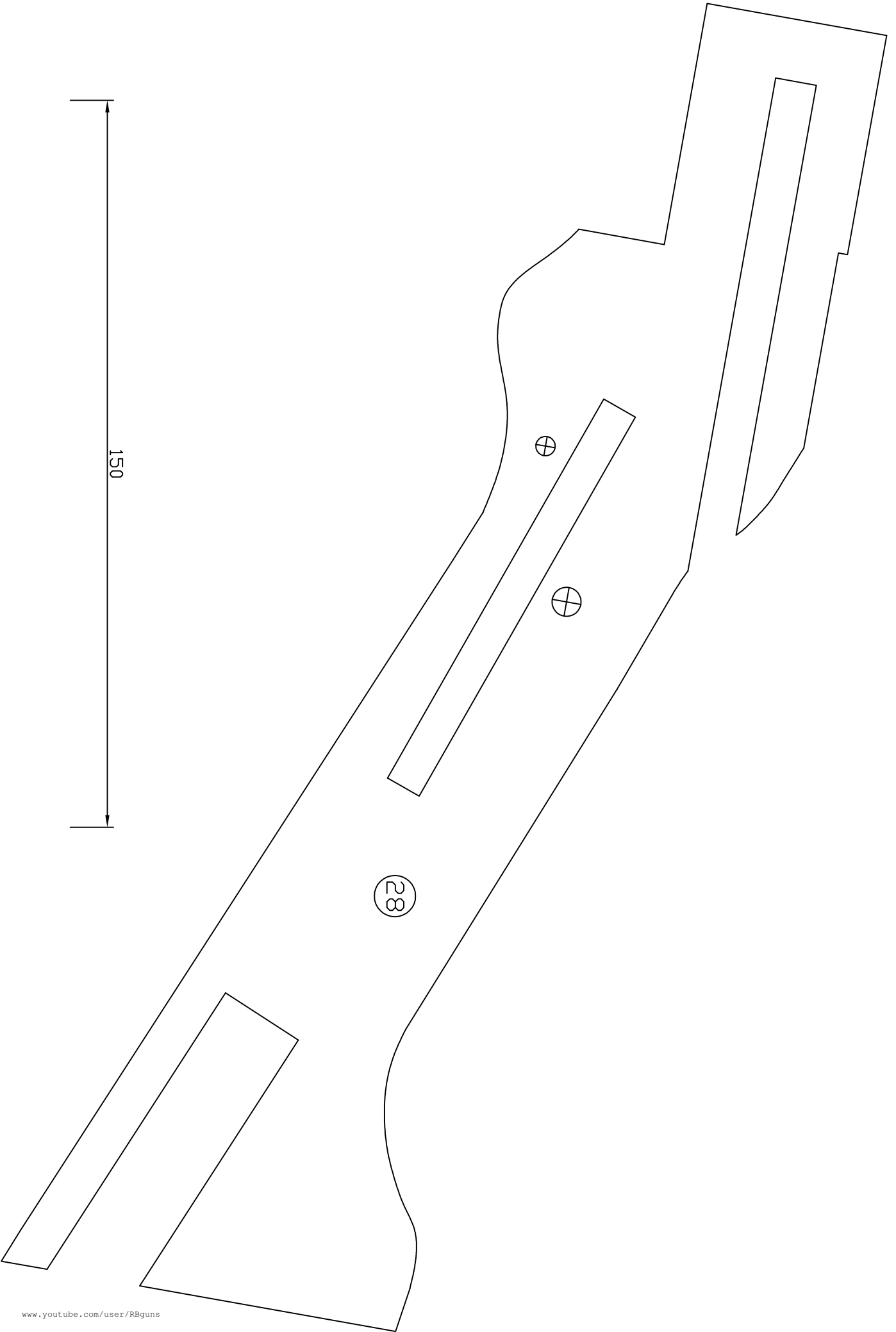
24

20

21







150

28

