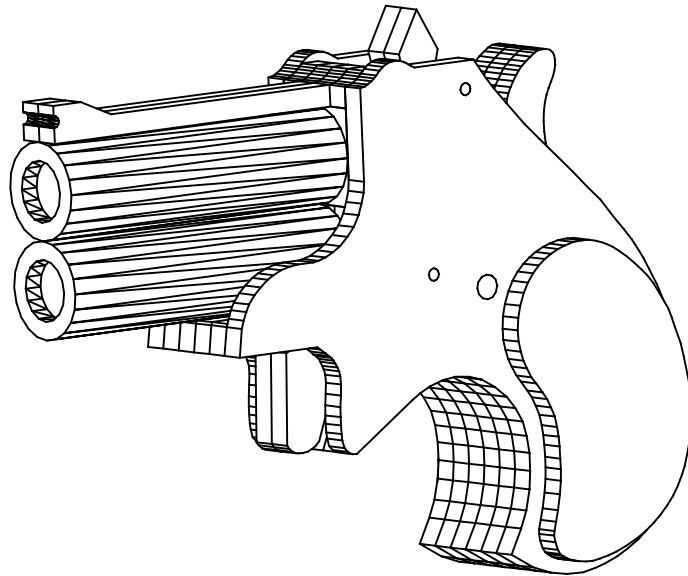


# Derringer rubber band gun



## IMPORTANT!

This is a construction manual for making an harmless rubber band gun. You will make and use it on your own risk. If you don't agree, don't make this rubber band gun.

Please pay attention to laws concerning realistic imitation firearms in your country.

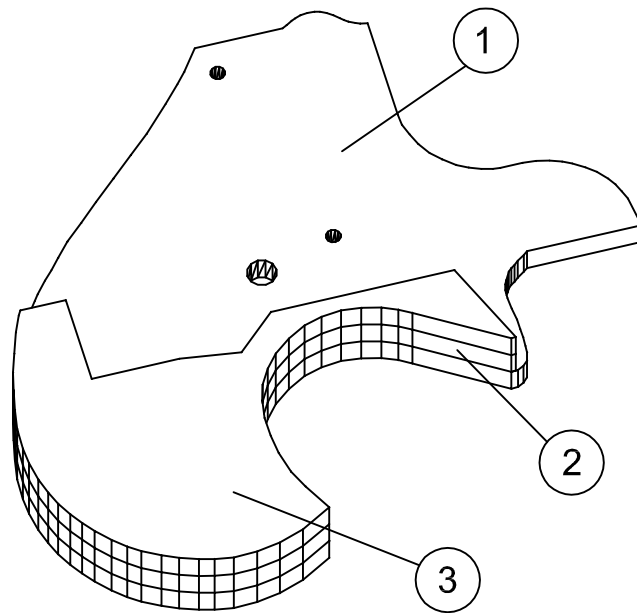
# Materials:

- 4mm plywood ca. 300x420mm
- 4mm dark hardwood ca. 80x100mm
  
- 2x ø2mm nail (steel)
  
- ø16mm hardwood dowel ca. 140mm
- ø4mm hardwood dowel 24mm
  
- 2x screw 3x20mm
- 2x spring ø4mm
  
- rubber bands ø16mm
- rubber bands ø40mm

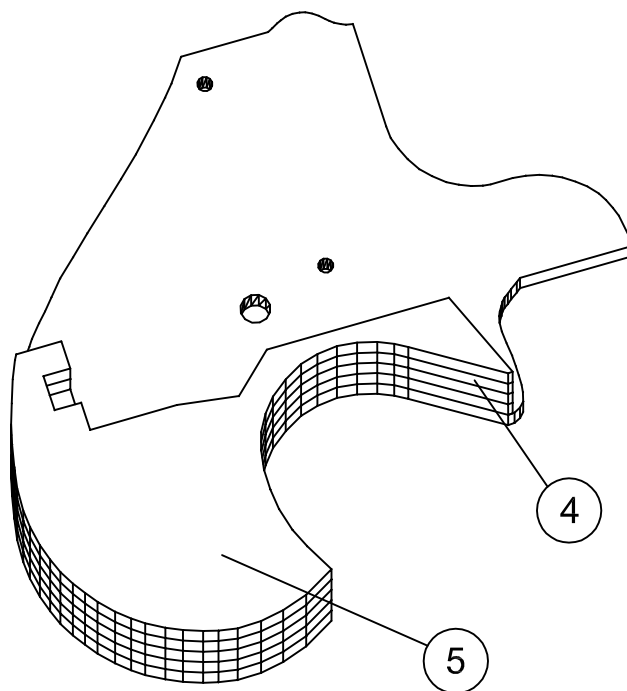
# Tools:

- scroll saw (fret saw)
- drill press (cordless drill)
- sandpaper
- wood glue
- screwdriver
- ø2, ø3, ø4, ø6, ø10mm brad point drill

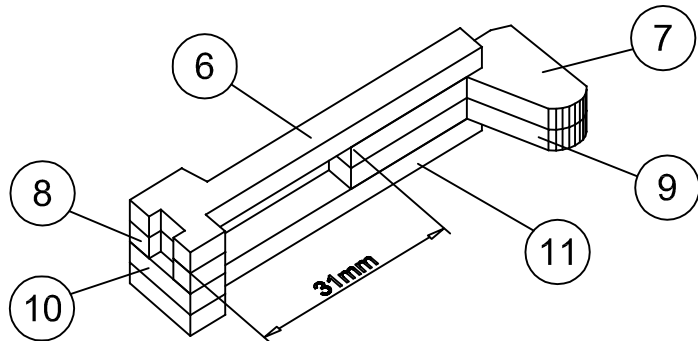
1



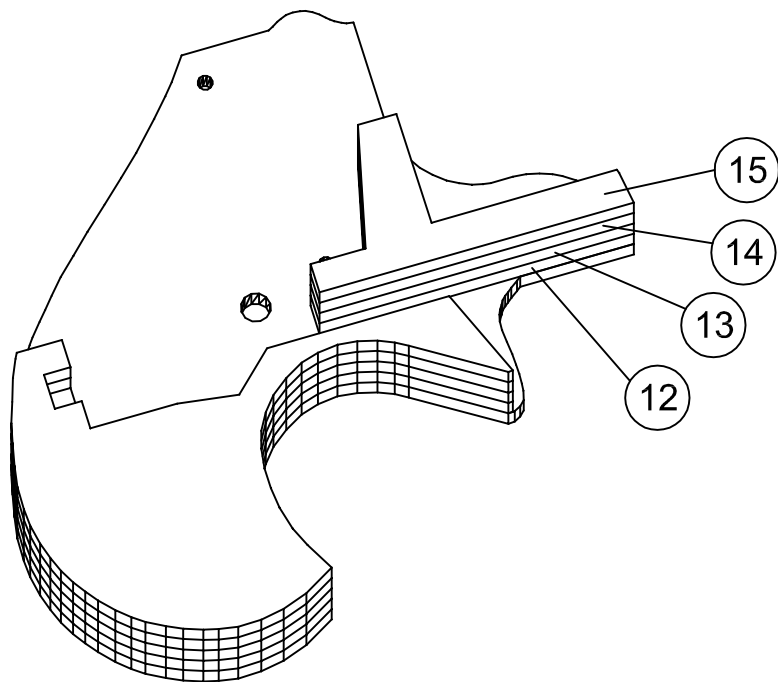
2



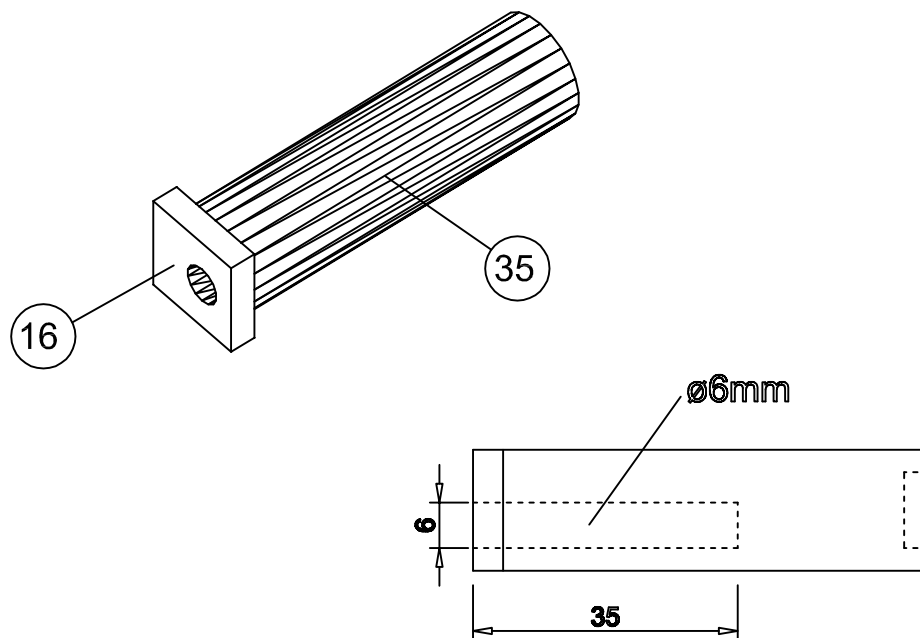
3



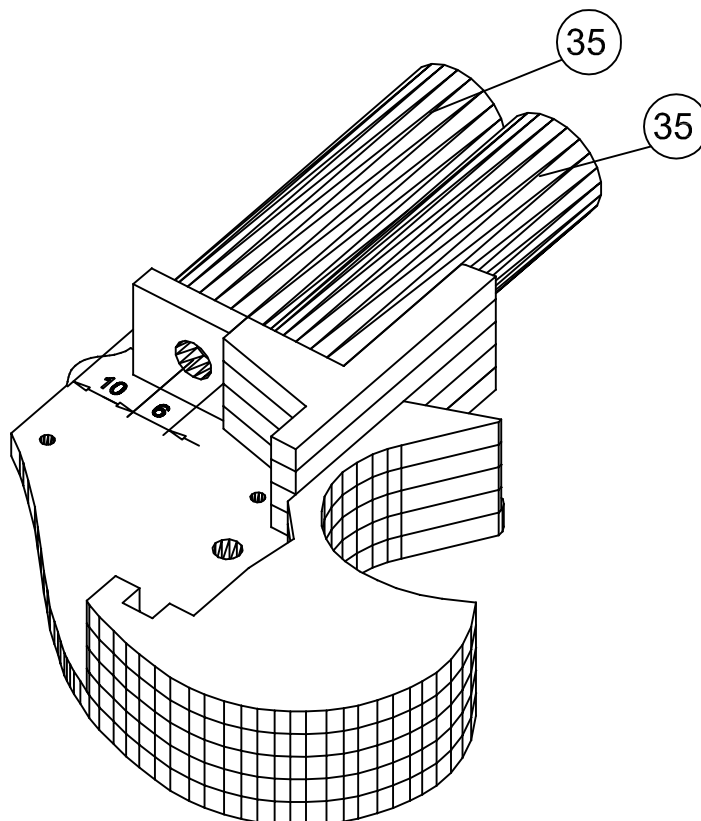
4



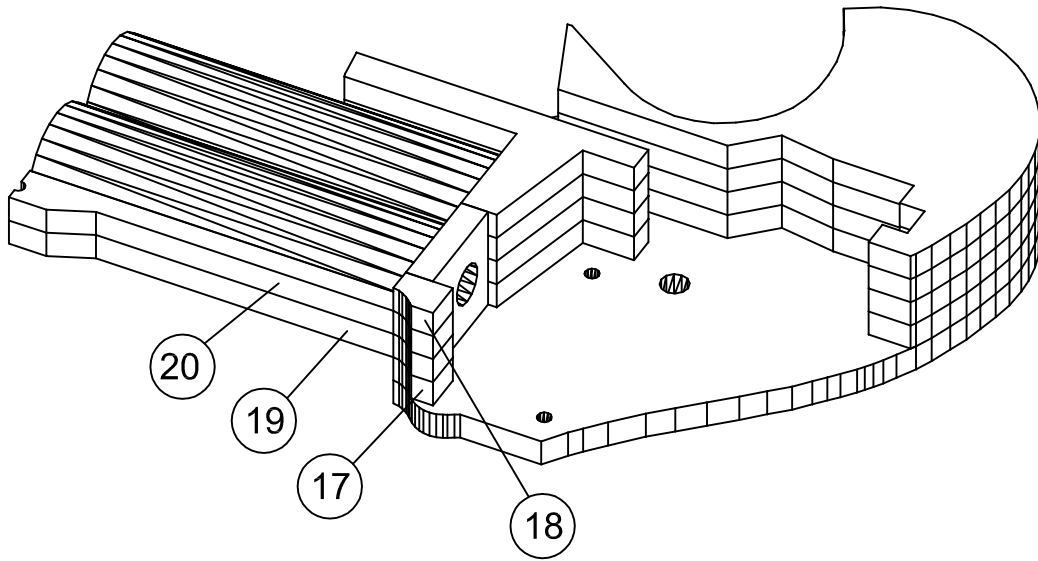
5



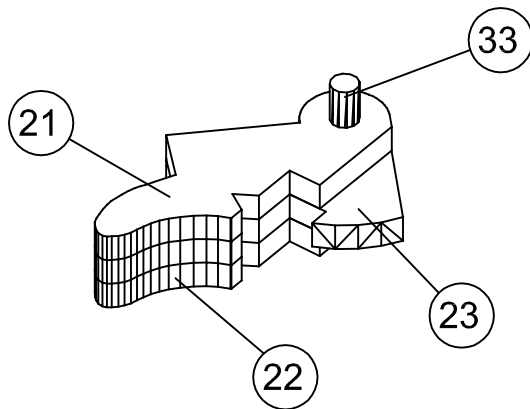
6



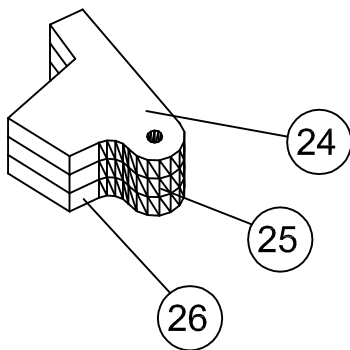
7



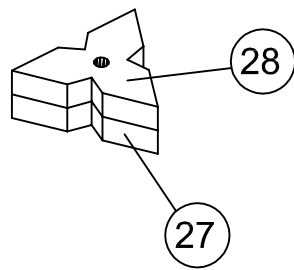
8



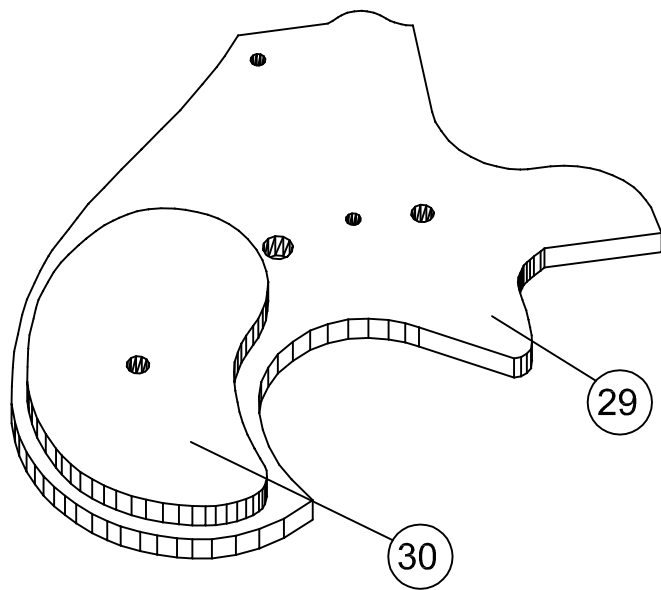
9



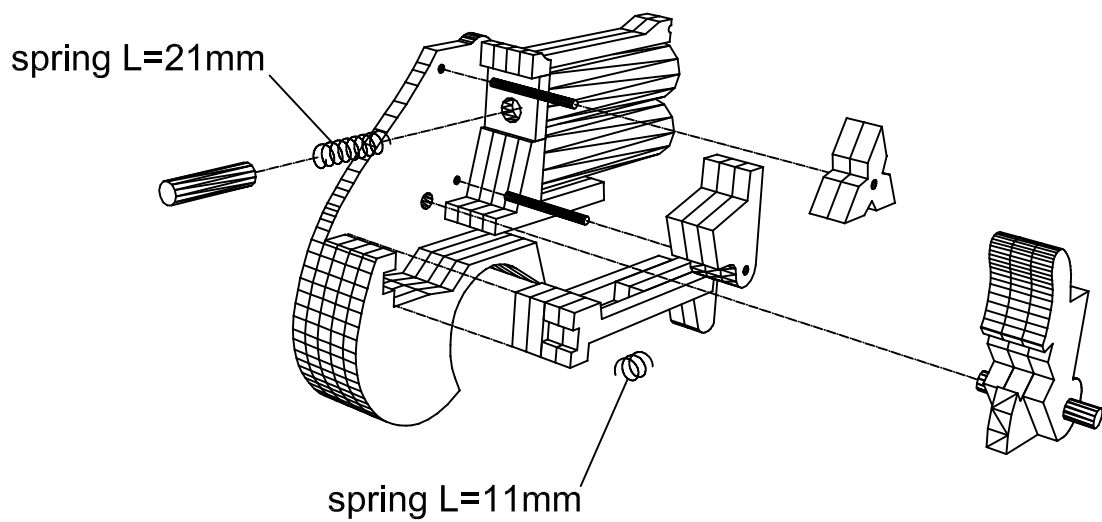
10



11

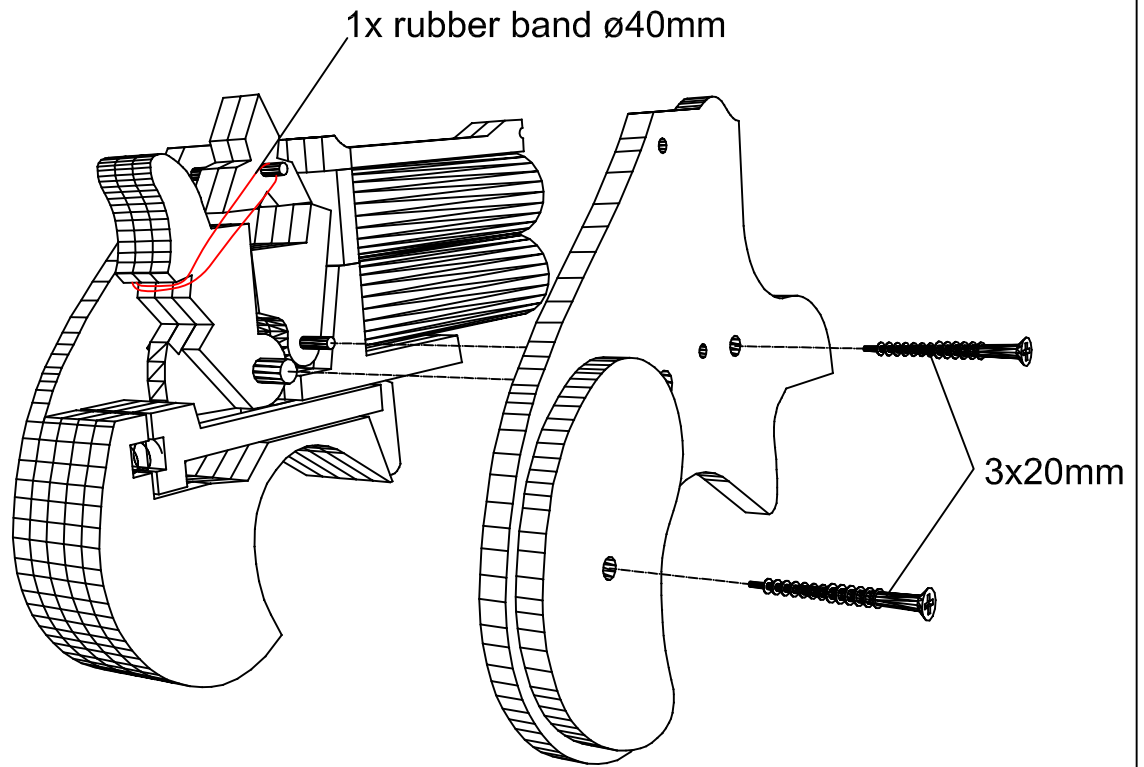


12

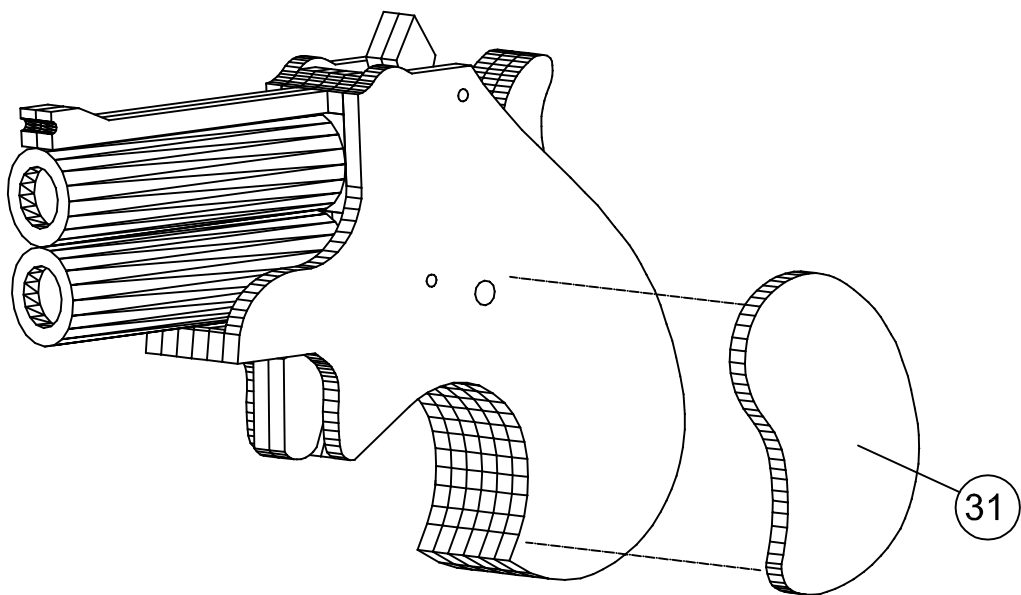




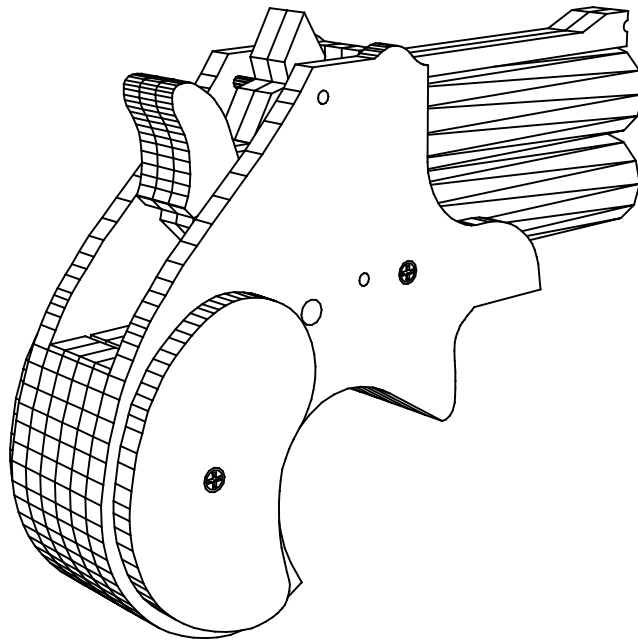
13



14



15



16

