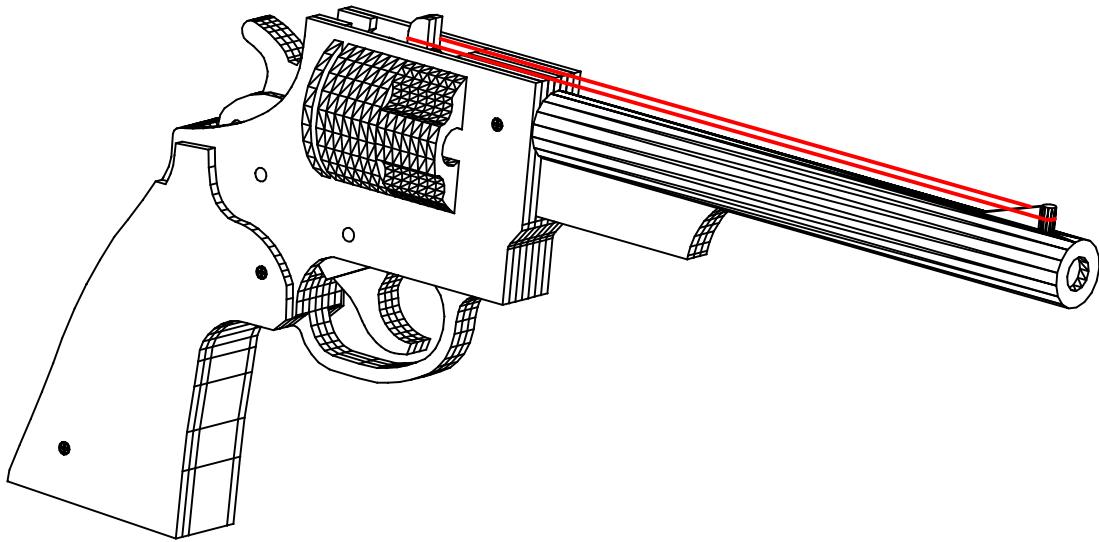


.44 Magnum rubber band gun



IMPORTANT!

This is a construction manual for making an harmless rubber band gun. You will make and use it on your own risk. If you don't agree, don't make this rubber band gun.

Please pay attention to laws concerning realistic imitation firearms in your country.

Materials:

- 3mm plywood ca. 560x630mm
- 3mm dark hardwood ca. 210x280mm
- 18mm dark hardwood ca. 140x140mm
(thickness = 6 layer plywood)

- 2mm metal 14x16mm and 14x11mm (aluminium, brass,...)
- 4mm metal 26x8mm (aluminium, brass,...)
- ø2mm nail (steel)

- ø20mm hardwood dowel 186mm
- ø4mm hardwood dowel ca. 150mm

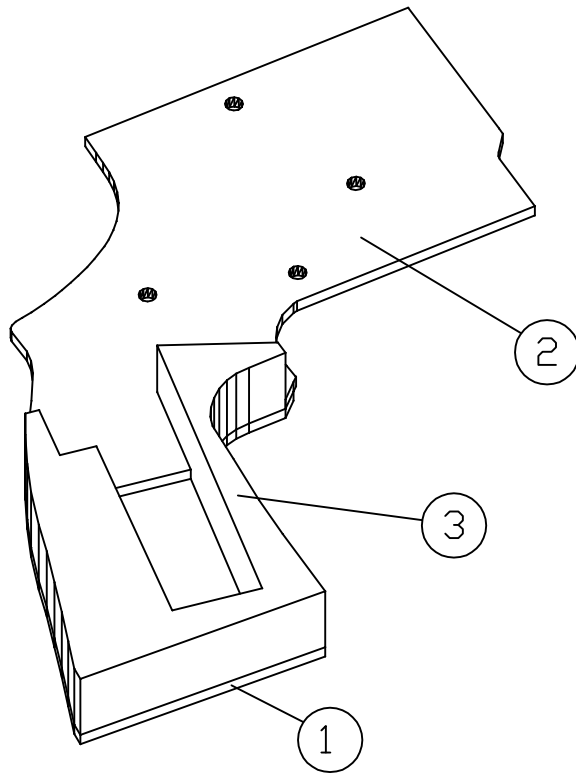
- 1x screw 3x25mm
- 3x screw 3x20mm
- 2x screw 2,5x12mm

- rubber bands ø40mm

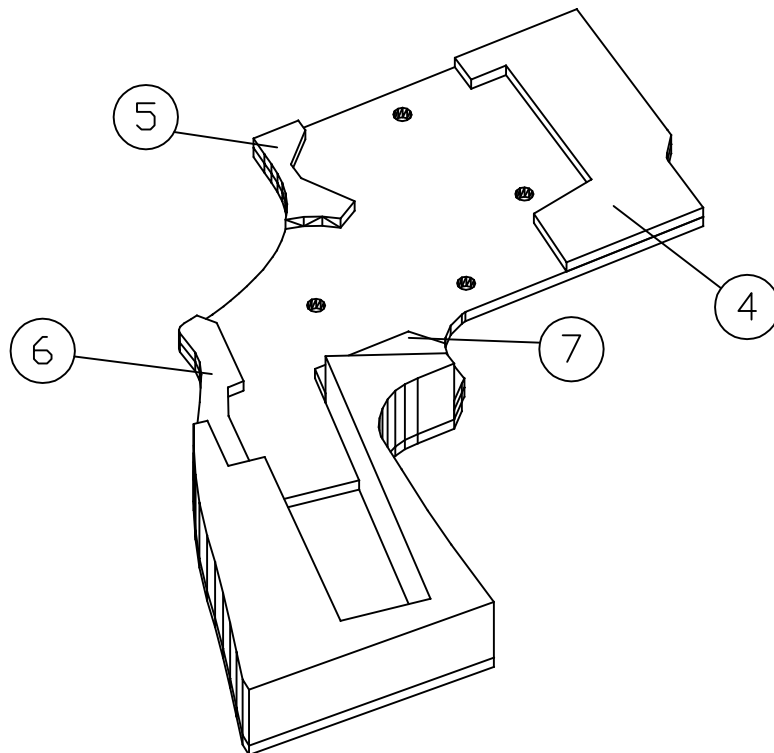
Tools:

- scroll saw (fret saw)
- drill press (cordless drill)
- sandpaper
- wood glue
- screwdriver
- ø2, ø3, ø4, ø10mm brad point drill
- ø2, ø2,5mm drill

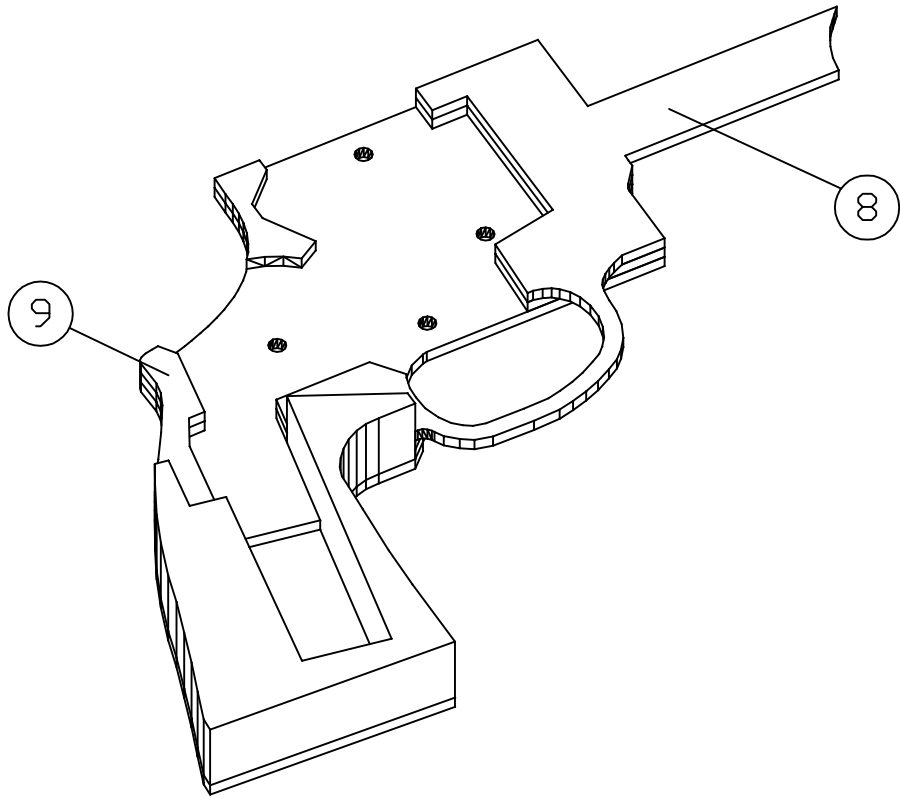
1



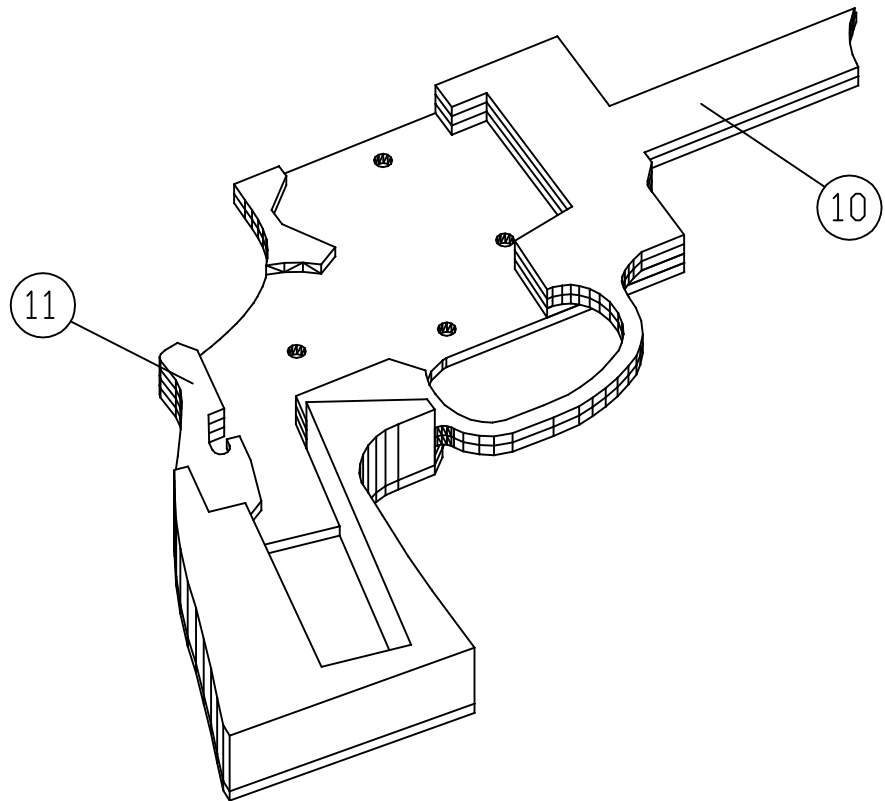
2



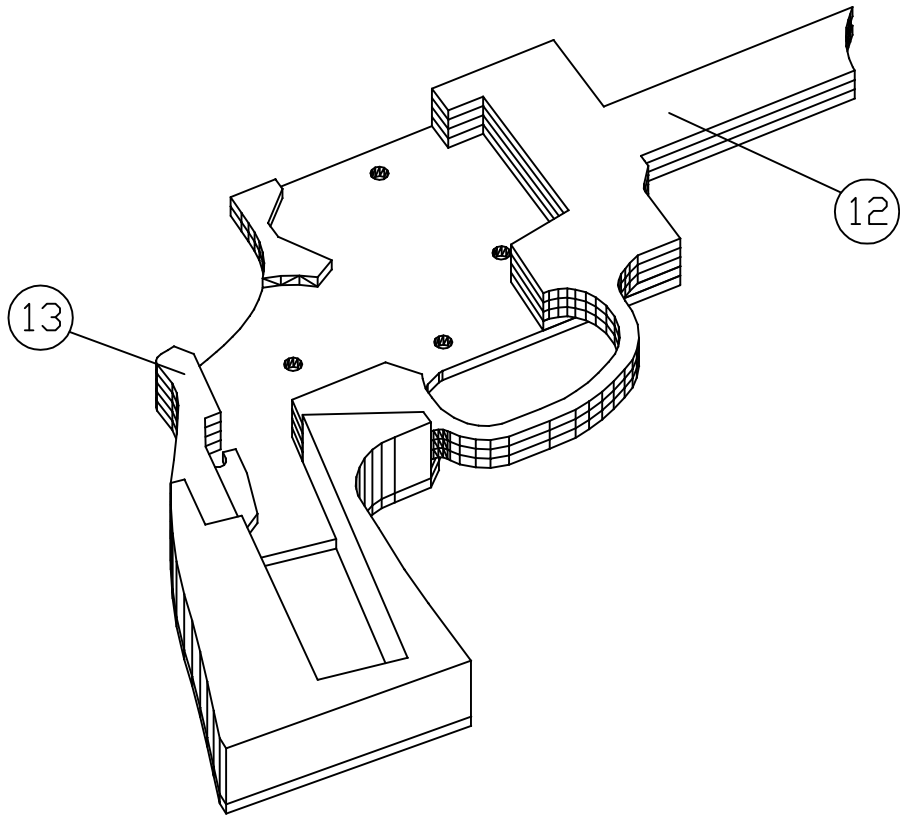
3



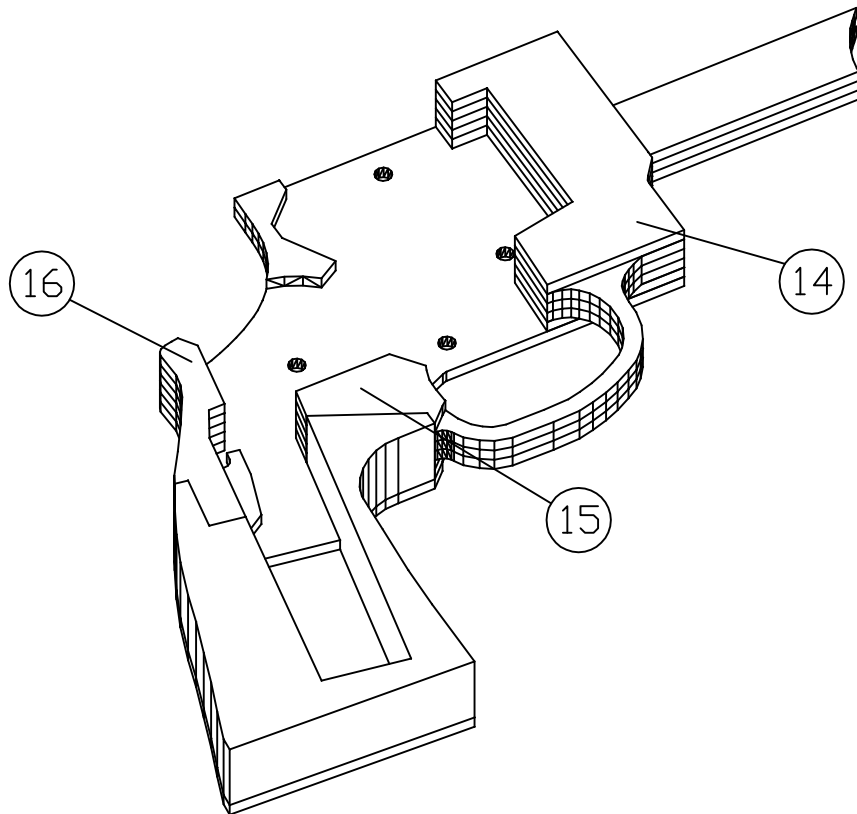
4



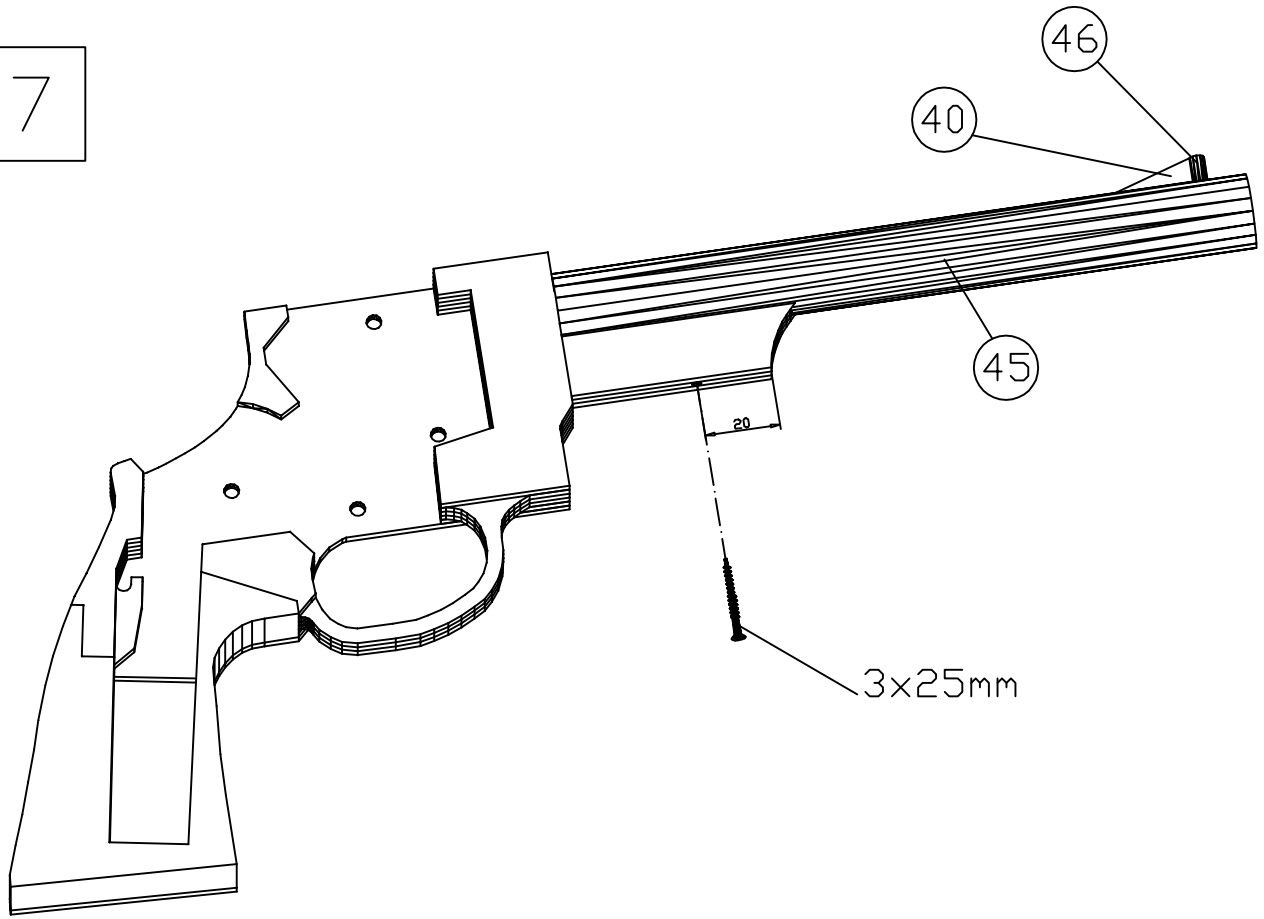
5



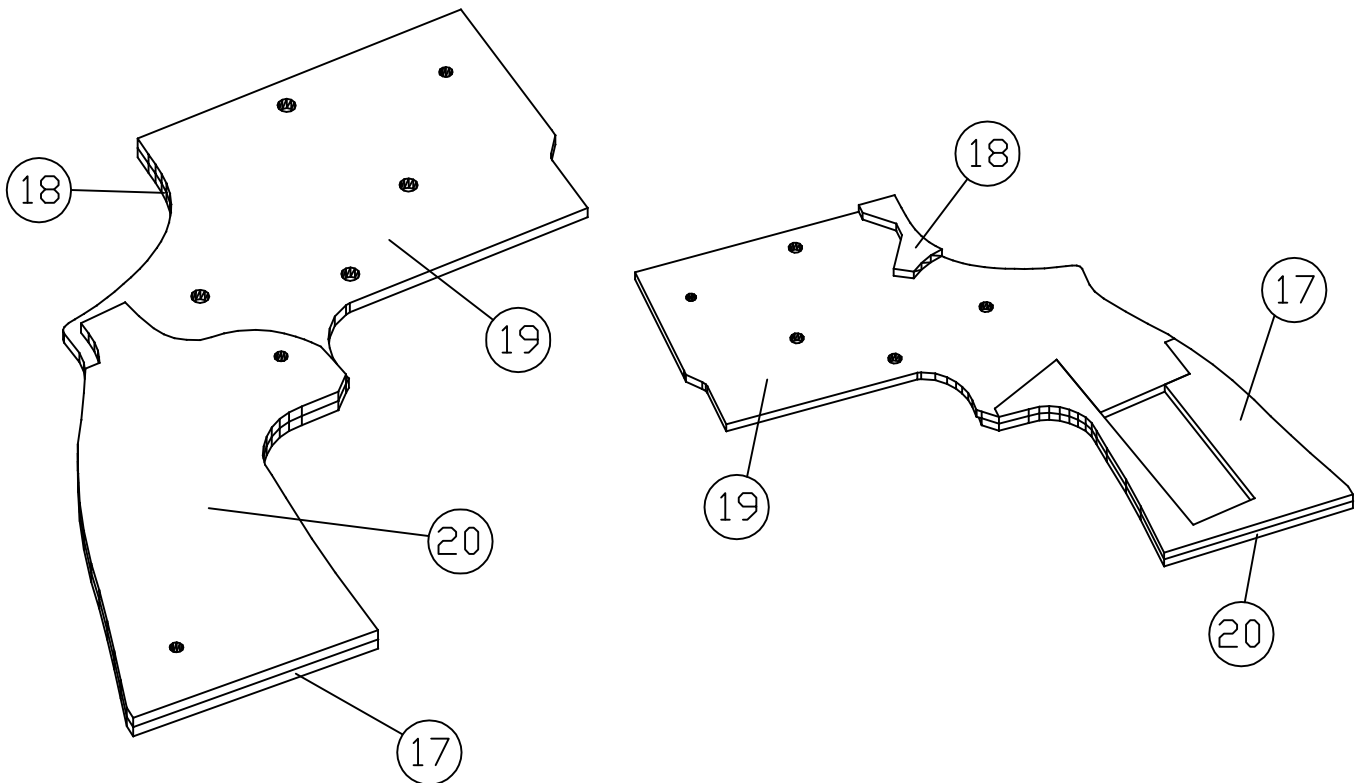
6



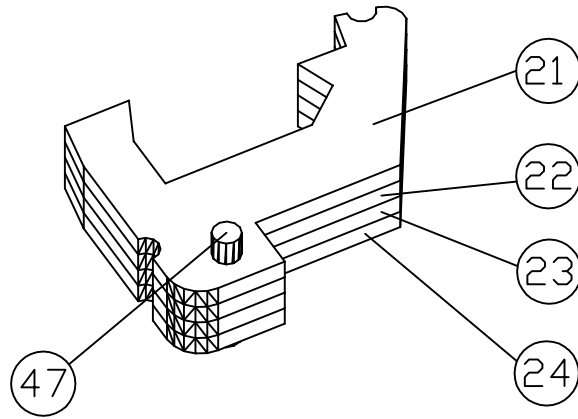
7



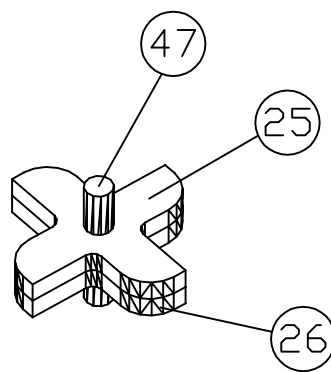
8



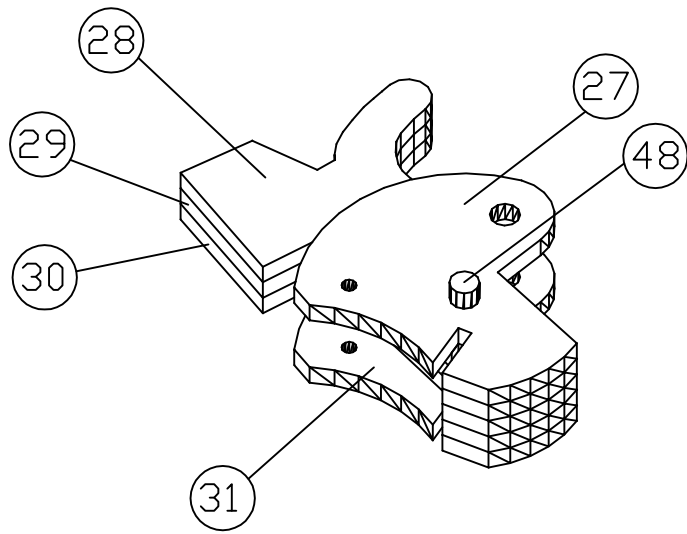
9



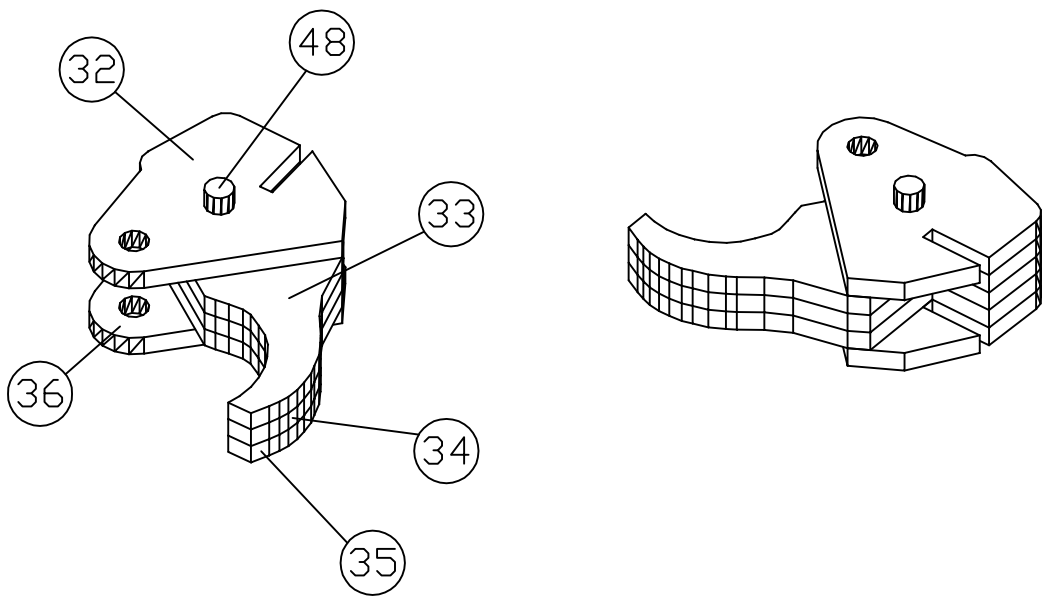
10



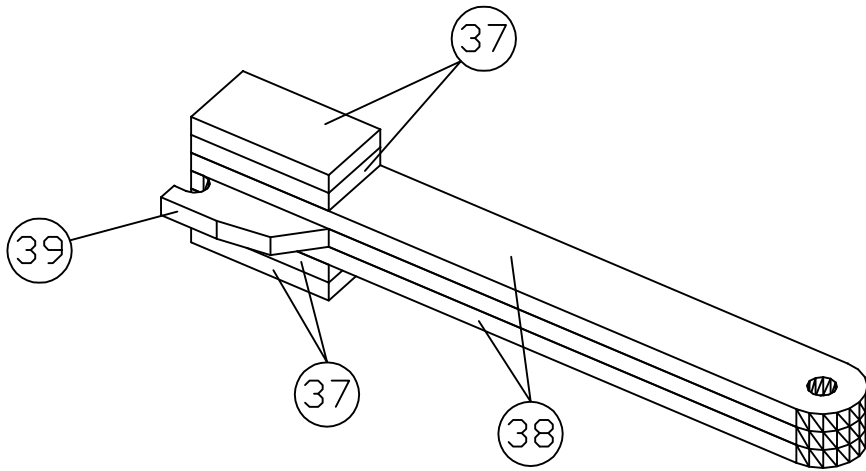
11



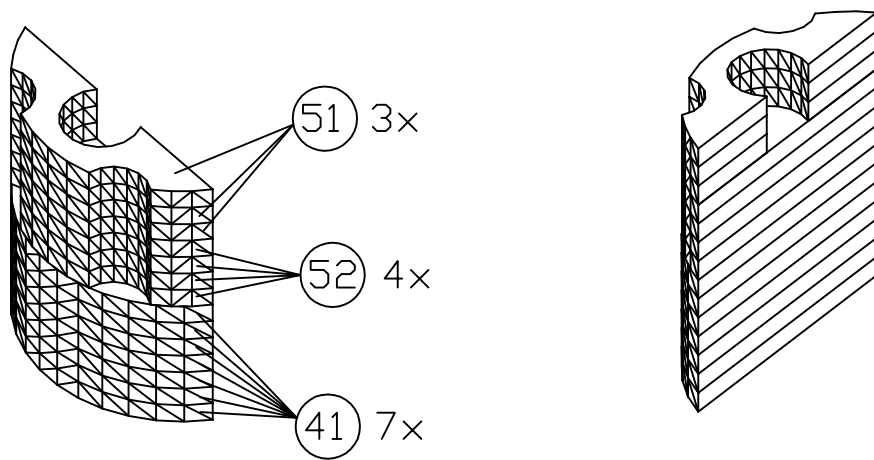
12



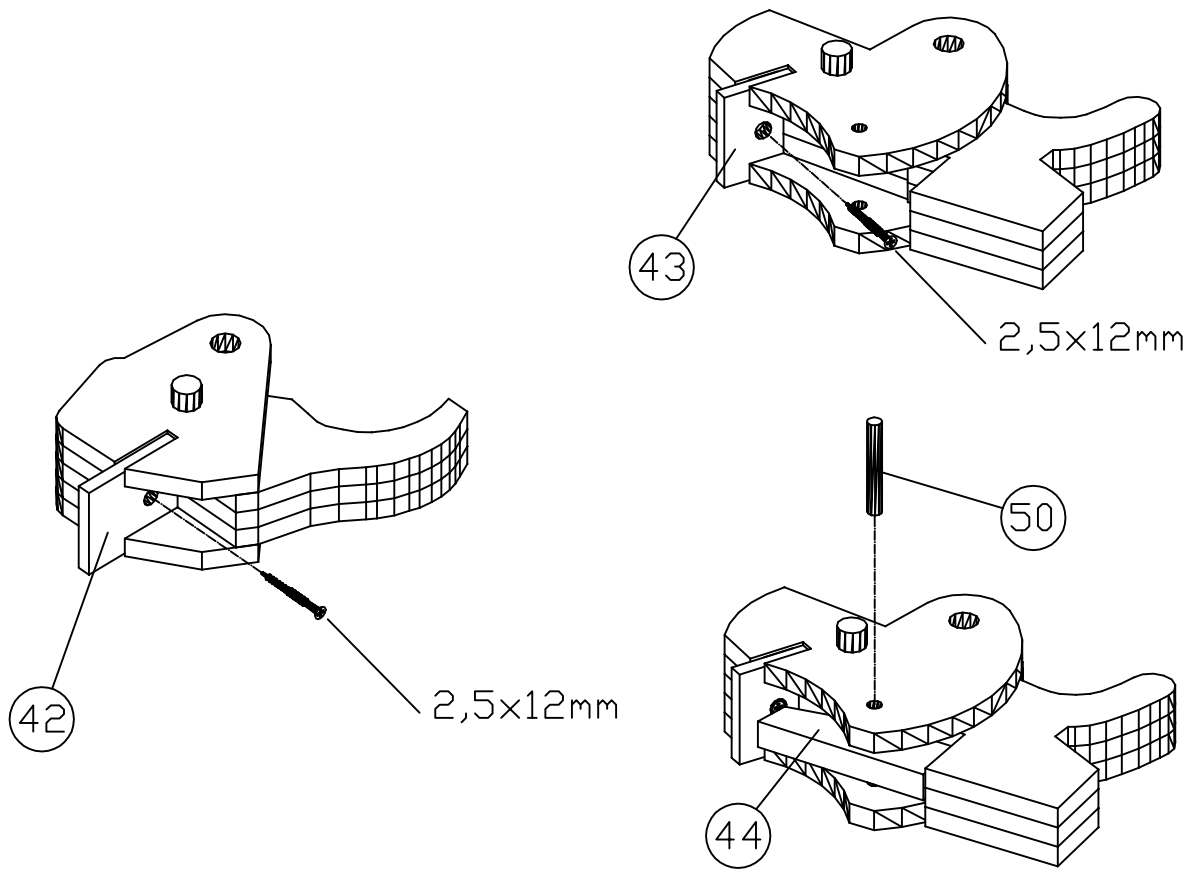
13



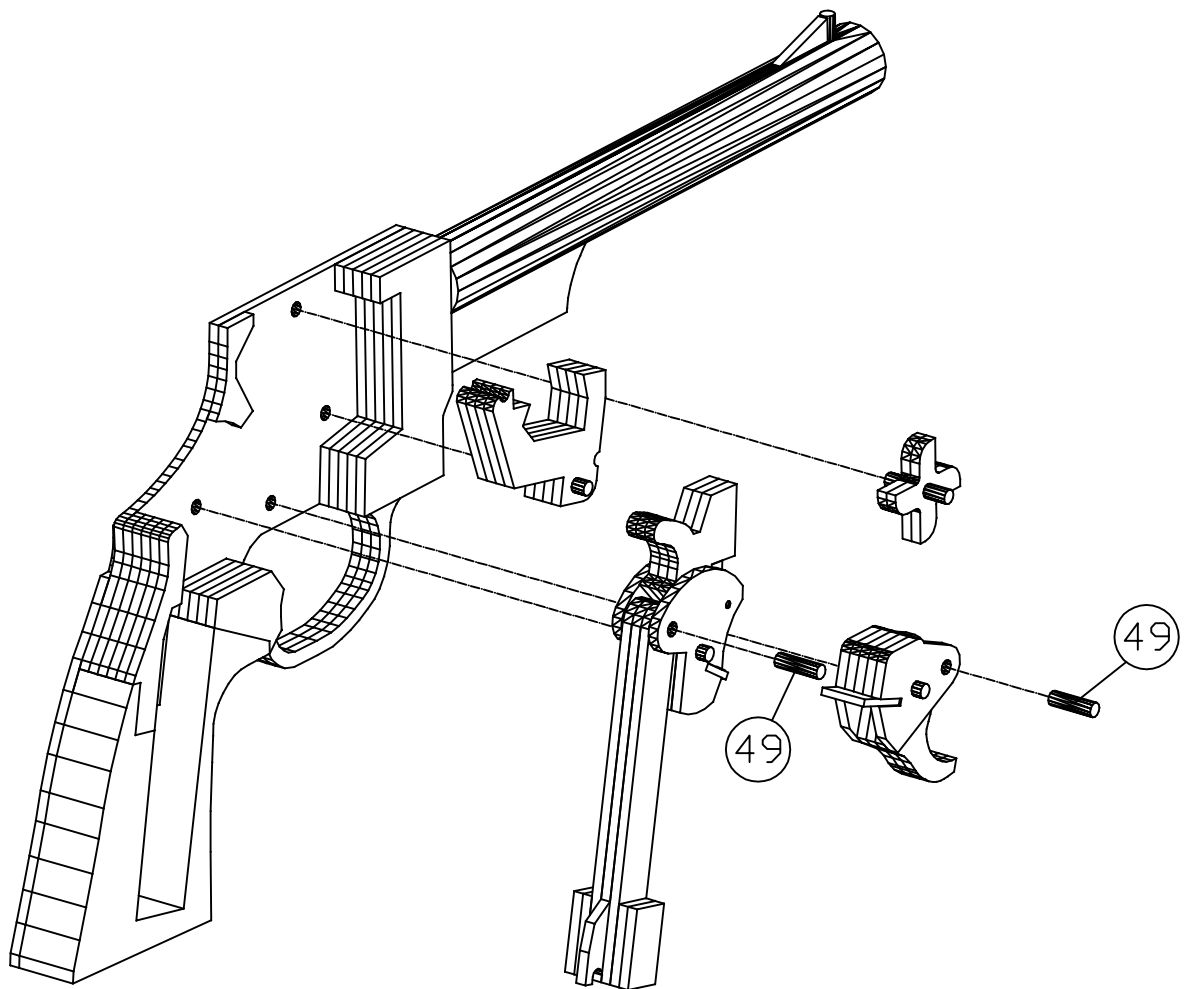
14



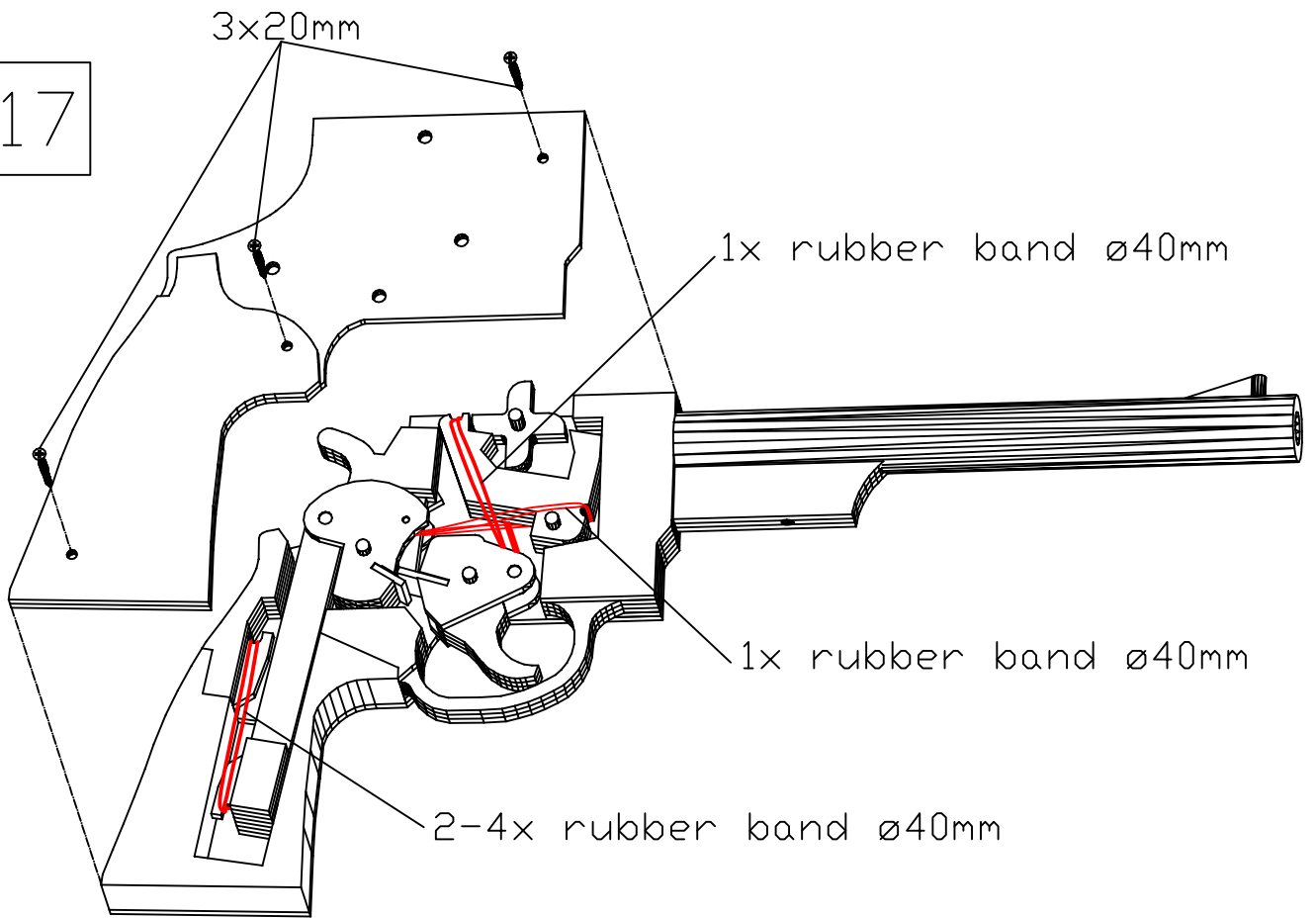
15



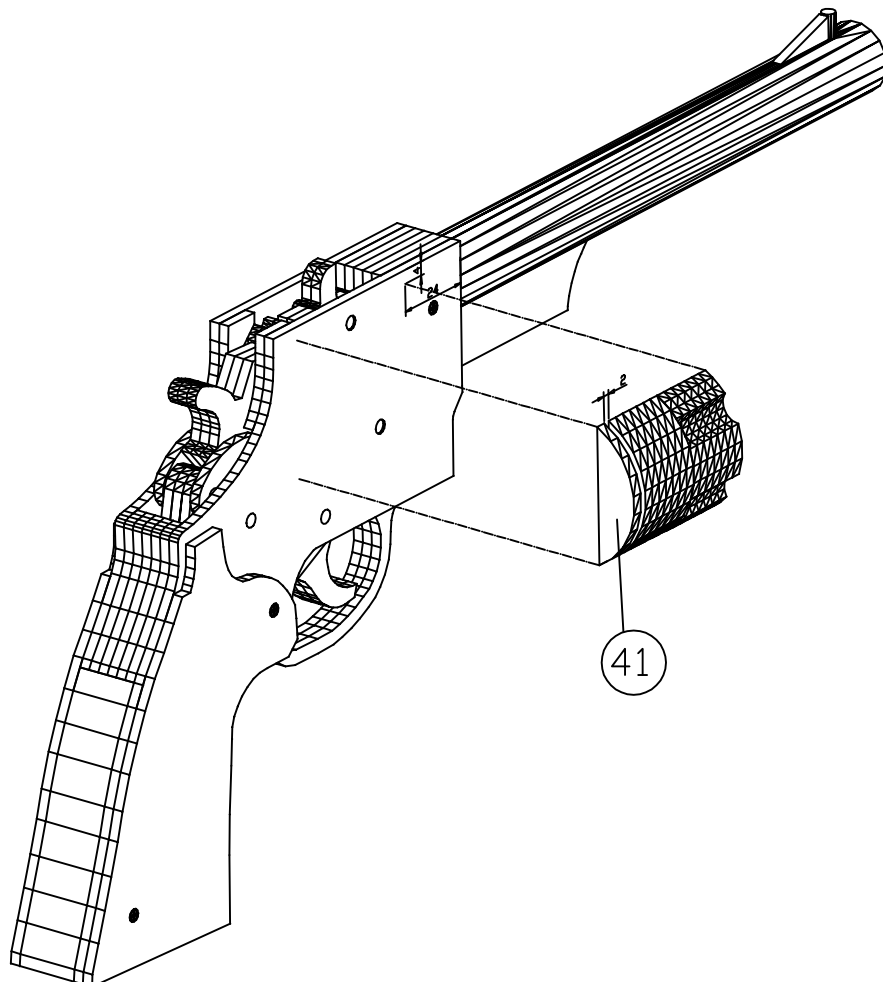
16



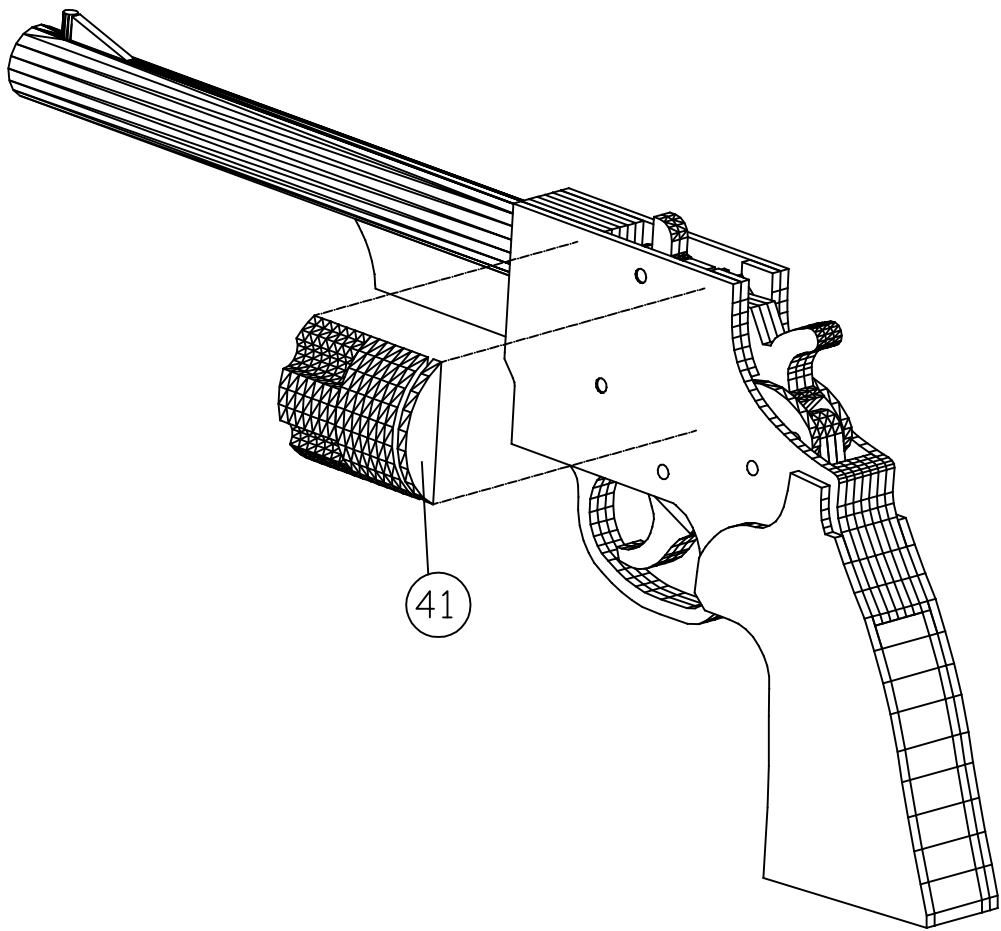
17



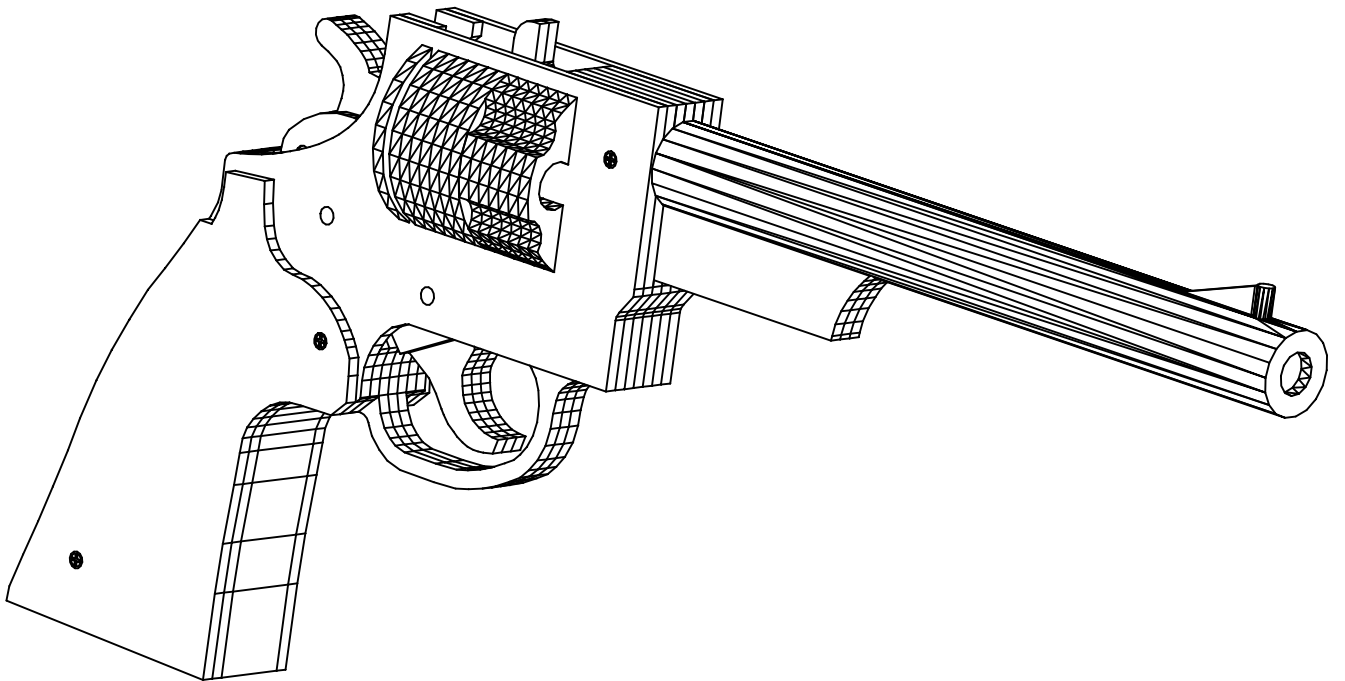
18

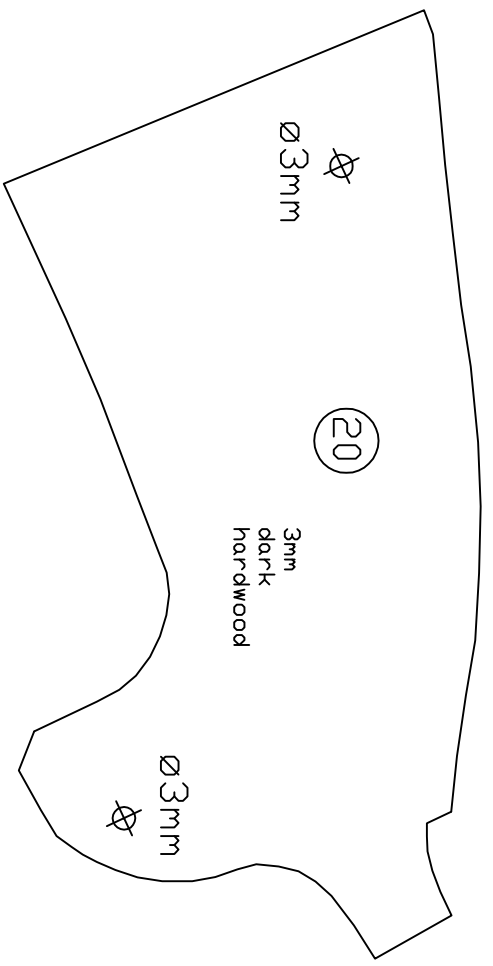
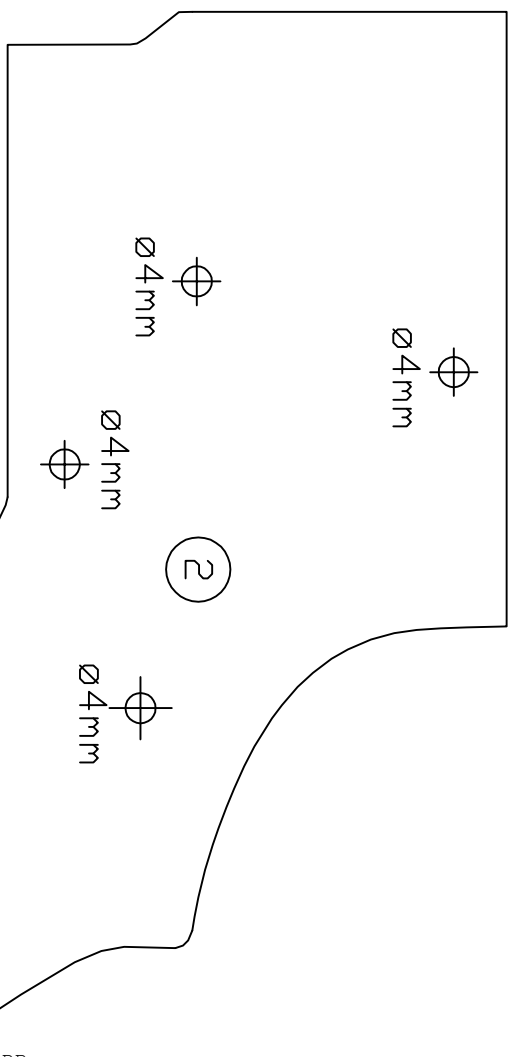
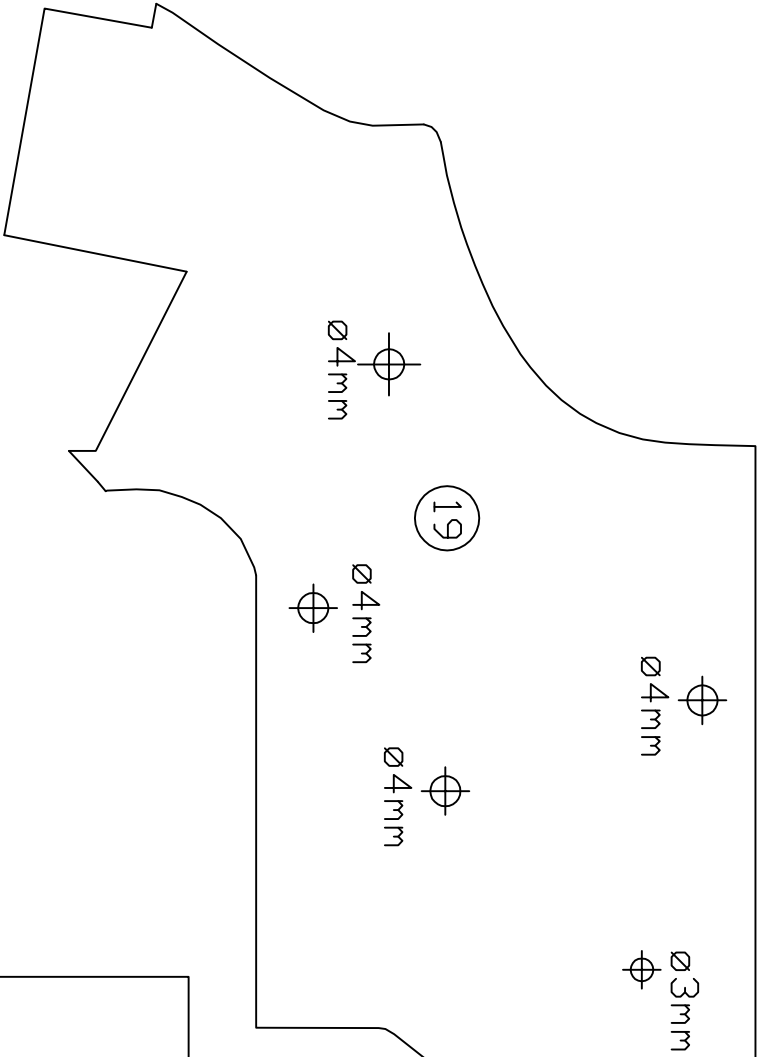
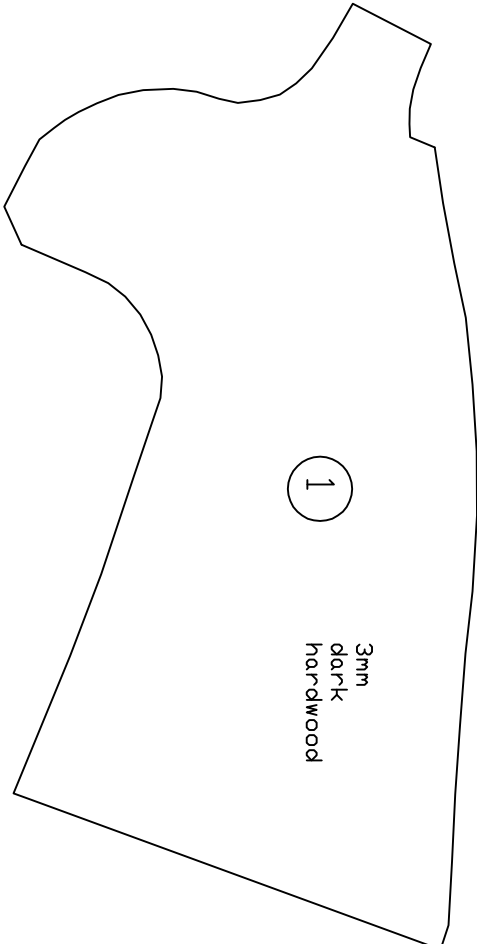


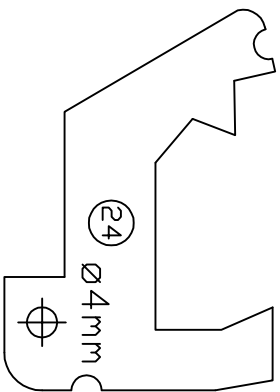
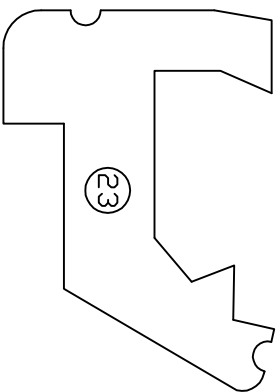
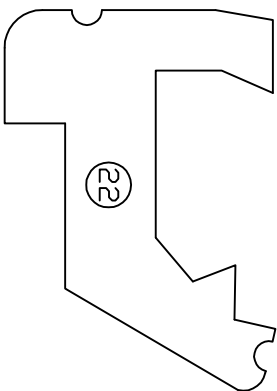
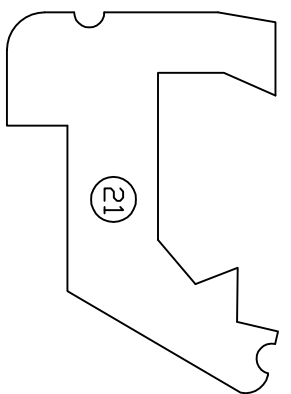
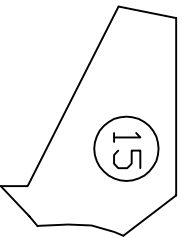
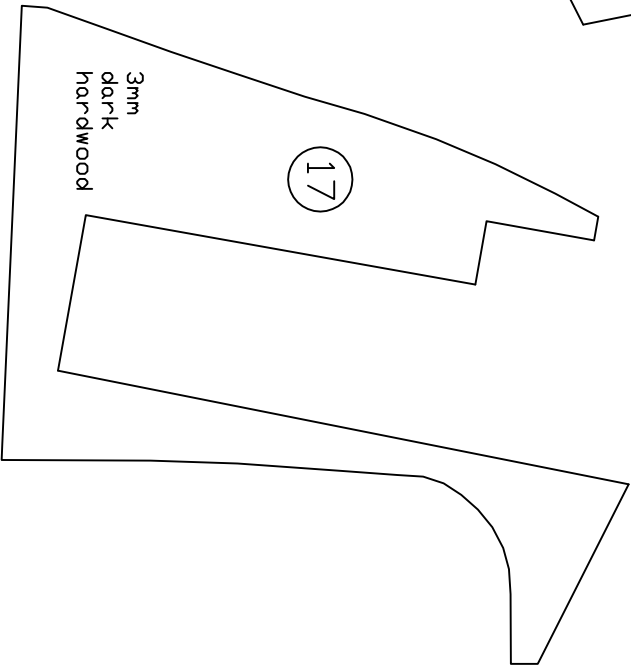
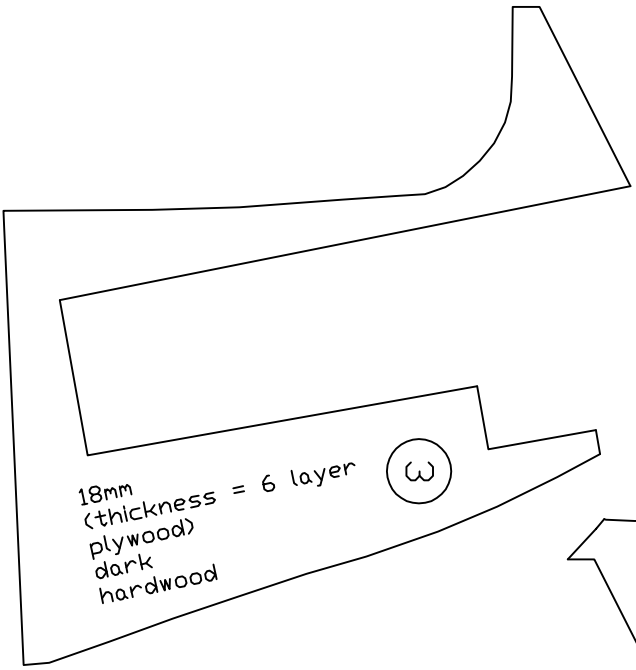
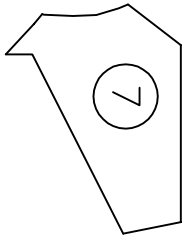
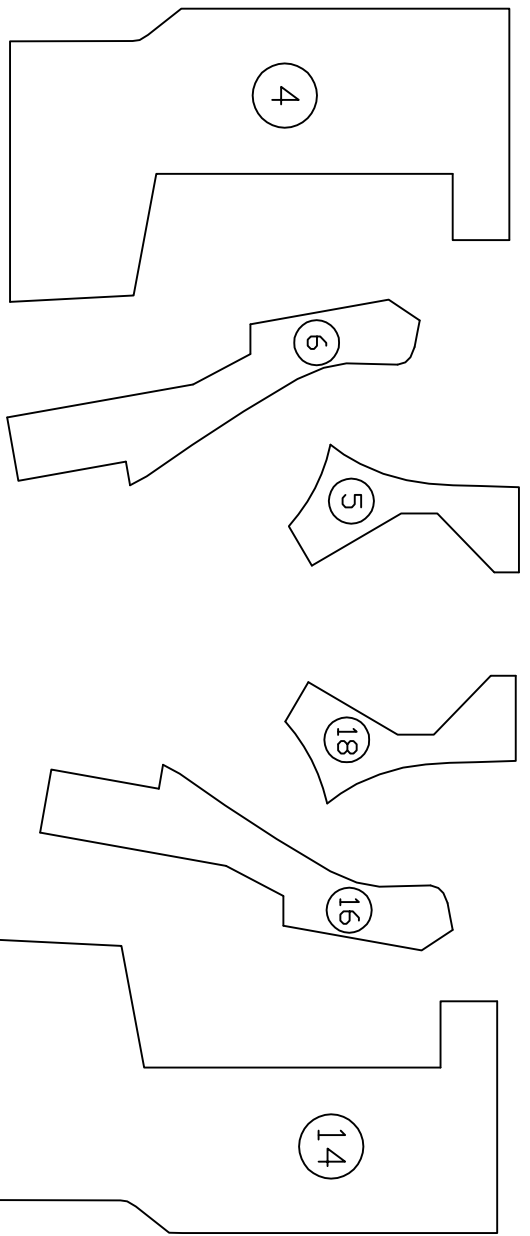
19

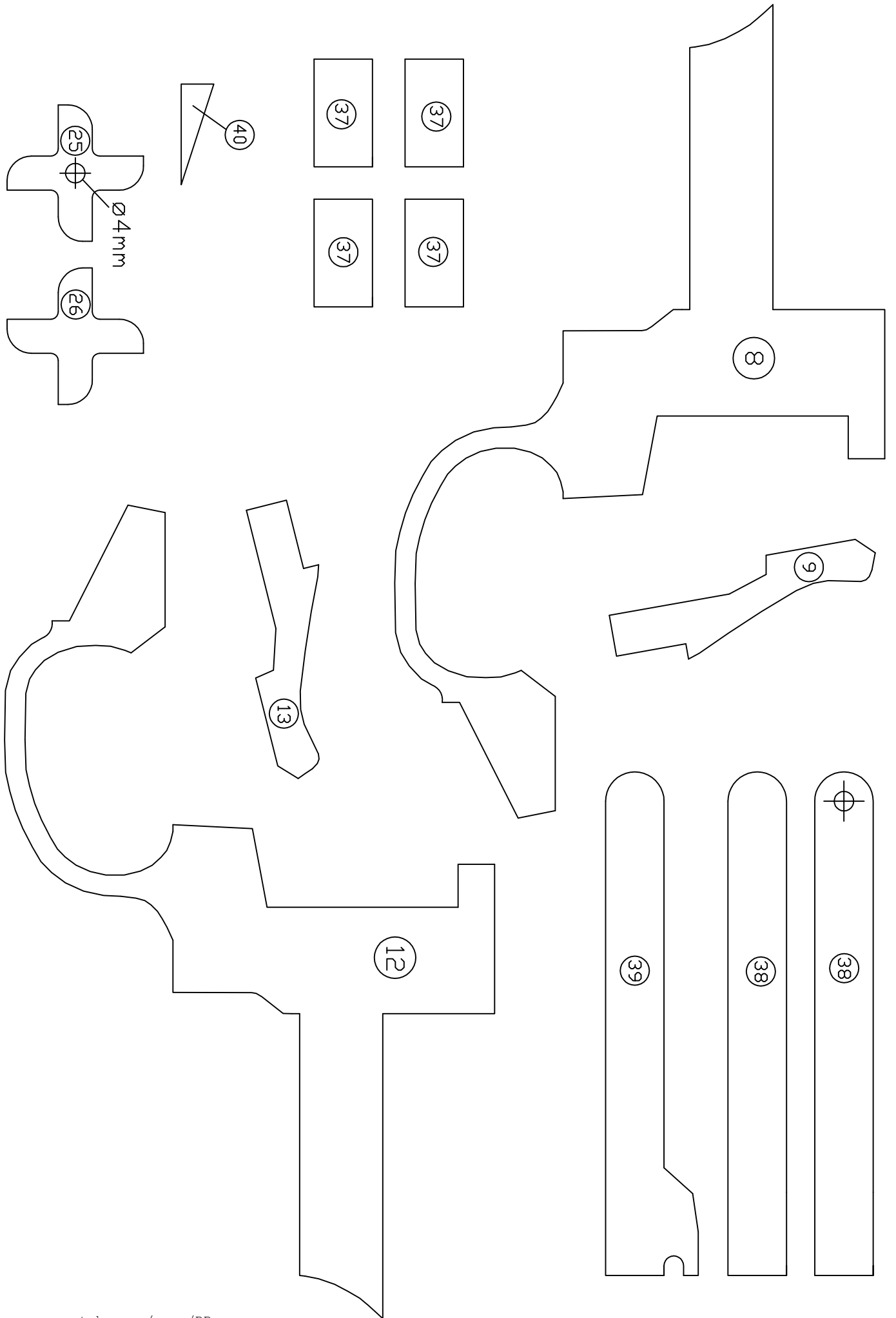


20









Ø4mm

